

PROPELLER PUMP **XStream** SDC



INSTRUCTION MANUAL
XStream SDC

EN • IT • DE • FR • ES • NL • PT • RU • CN

SEAL AND SIGNATURE OF RESALE DEALER
TIMBRO E FIRMA DEL RIVENDITORE
STEMPEL UND UNTERSCHRIFT DES VERKAUFERS
CACHET ET SIGNATURE DU REVENDEUR
SELLO Y FIRMA DEL REVENDEDOR
STEMPEL EN HANDTEKENING VAN DE DEALER
CARIMBO E ASSINATURA DO REVENDEDOR
ПЕЧАТЬ И ПОДПИСЬ ДИЛЕРА
邮票卖家签名

DATE OF PURCHASE
DATA DI VENDITA
VERKAUFSDATUM
DATE DE VENTE
FECHA DE VENTA
DATUM VAN AANKOOP
DATA DE VENDA
ДАТА ПРОДАЖИ
发售日

____ / ____ / ____
day month year

WARRANTY • GARANZIA • GARANTIA • GARANTIE • GARANTIA
GARANTIED • GARANTIA • GARANTI • GARANTIA • GARANTIA • 保固書



PROPELLER PUMP XStream SDC

SICCE CORPORATE



INSTRUCTION MANUAL
XStream SDC

EN • IT • DE • FR • ES • NL • PT • RU • CN

IMPORTANT SAFETY INSTRUCTIONS

WARNING - To guard against injury, basic safety precautions should be observed, including the following.

READ AND FOLLOW

ALL SAFETY INSTRUCTIONS

WARNING: To avoid possible electric shock, special care should be taken since water is employed in the use of aquarium equipment. For each of the following situations, do not attempt repairs by yourself. Return the appliance to an authorized service facility for service or discard the appliance.

- 1) **CAUTION:** If the appliance shows any sign of abnormal water leakage, immediately unplug it from the power source.
- 2) Carefully examine the appliance after installation. It should not be plugged in if there is water on parts not intended to be wet.
- 3) Do not operate any appliance if it has a damaged cord or plug, or if it doesn't work properly or has been dropped or damaged in any manner.
- 4) To avoid the possibility of the appliance plug or receptacle getting wet, position aquarium stand and tank or the fountain to one side of a wall-mounted receptacle to prevent water from dripping onto the receptacle or plug.
A "drip-loop" (fig. 1) should be arranged by the user for each cord connecting an aquarium appliance to a receptacle. The "drip-loop" is the part of the cord below the level of the receptacle or the connector if an extension cord is used, which prevents water travelling along the cord and coming in contact with the receptacle. If the plug or socket does get wet, DON'T unplug the cord. Disconnect the fuse or circuit breaker that supplies power to appliance. Then unplug and examine for presence of water in the receptacle.
- 5) Close supervision is necessary when any appliance is used by near children.
- 6) To avoid injury, do not contact moving parts or hot parts such as heaters, reflectors, lamp bulbs and similar.
- 7) Always unplug an appliance from an outlet when not in use, before putting on or taking off parts and before cleaning. Never yank cord to pull plug from outlet.

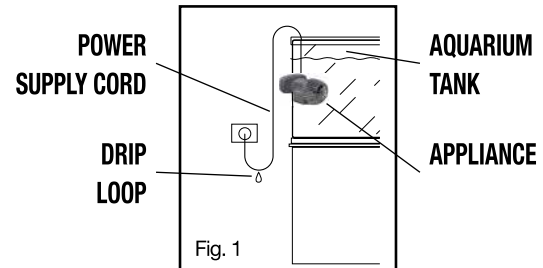
Grasp the plug and pull to disconnect.

- 8) Do not use an appliance for other than intended use. The use of attachments, not recommended or sold by the manufacturer of the appliance, may cause an unsafe condition.
- 9) Do not install or store the appliances where it will be exposed to the weather or to temperatures below freezing.
- 10) Make sure an appliance mounted on a tank is securely installed before operating it.
- 11) Read and observe all the important notices of the appliance.
- 12) If an extension cord is necessary, a cord with a proper rating should be used. A cord rated for less amperes or watts than the appliance rating may overheat. Care should be taken to arrange the cord so that it will not be tripped over or pulled.
- 13) This appliance has a polarized plug (one blade is wider than other). As a safety feature, this plug will fit in a polarized outlet only one way. If the plug does not fit fully in the outlet, reverse the plug. If it still does not fit, contact a qualified electrician. Never use with an extension cord unless plug can be fully inserted. Do not attempt to defeat this safety feature.

WARNING: To reduce the risk of electric shock, use only on portable self-contained fountains no larger than 5 feet in any dimension.

CAUTION: The appliance is to be connected to a circuit that is protected by a Ground Fault Circuit Interrupter.

SAVE THESE INSTRUCTIONS



CONSIGNES DE SÉCURITÉ IMPORTANTES

MISE EN GARDE: - Afin de se protéger contre les blessures, des mesures de sécurité de base doivent être observées, y compris les suivantes.

LIRE ET OBSERVER TOUTES LES CONSIGNES DE SÉCURITÉ

DANGER - Pour éviter tout choc électrique, une grande prudence est de rigueur. Dans chacune des situations suivantes, ne pas essayer de réparer l'appareil soi-même; l'expédier au fabricant pour réparation ou le jeter.

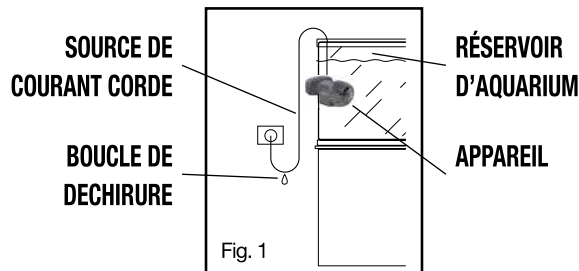
- 1) **MISE EN GARDE:** Si la pompe à eau montre un quelconque signe de fuite d'eau anormale, la débrancher immédiatement de la prise de courant.
- 2) Examiner soigneusement l'appareil après l'installation. Il ne doit pas être branché s'il y a de l'eau sur les pièces qui ne doivent pas être mouillées.
- 3) Ne pas faire fonctionner un appareil défectueux, dont le cordon électrique ou la fiche sont endommagés, ou qui a été échappé ou abîmé d'une façon quelconque.
- 4) Afin d'éviter que l'appareil ou la prise de courant soient mouillés, installer le support pour aquarium et le bac à côté d'une prise de courant pour empêcher l'eau de dégoutter sur la prise. L'utilisateur devrait faire une boucle d'égouttement (fig. 1 DRIP LOOP) pour chaque cordon électrique branché d'un aquarium à une prise de courant. Une boucle d'égouttement est la partie du cordon se trouvant sous la prise de courant ou le raccord si une rallonge électrique est utilisée, afin d'empêcher l'eau de circuler le long du cordon électrique et d'être en contact avec la prise de courant. Si la fiche ou la prise de courant sont mouillées, NE PAS débrancher le cordon électrique. Débrancher d'abord le fusible ou disjoncteur qui fournit l'électricité à l'appareil et débrancher ensuite l'appareil en vérifiant qu'il n'y a pas d'eau dans la prise.
- 5) Une surveillance étroite est requise lorsque l'appareil est utilisé par des enfants ou en leur présence.
- 6) Pour éviter les accidents, ne pas toucher aux pièces mobiles ou chaudes comme les chauffe-eau, réflecteurs, ampoules, etc.
- 7) Toujours débrancher l'appareil quand il n'est pas utilisé, quand des pièces sont enlevées ou remplacées et avant l'entretien. Ne jamais tirer sur le fil

- pour débrancher l'appareil; prendre la fiche et débrancher l'appareil.
- 8) Ne pas utiliser un appareil pour un emploi autre que celui pour lequel il a été fabriqué. Les pièces non vendues ou non recommandées par le fabricant pourraient compromettre la sécurité de l'appareil.
- 9) Ne pas exposer cet appareil aux intempéries ou à une température en dessous de 0°C.
- 10) Vous assurer qu'un appareil monté sur un aquarium est bien installé avant de le faire fonctionner.
- 11) Lire et observer tous les avis importants sur l'appareil.
- 12) Si une rallonge électrique est nécessaire, vous assurer qu'elle est d'un calibre adéquat. Un cordon électrique de calibre inférieur ou de moins d'ampères ou de watts que l'appareil peut surchauffer. Le cordon doit être placé de façon à éviter que quelqu'un trébuche ou le tire.
- 13) Cet appareil possède une fiche polarisée (une lame est plus large que les autres). Par mesure de sécurité, cette fiche s'insère dans une prise polarisée que dans un sens. Si la fiche n'entre pas complètement dans la prise, inverser la fiche. Si elle ne rentre toujours pas, contactez un électricien qualifié. Ne jamais utiliser une rallonge si la fiche peut être insérée complètement. Ne pas essayer de contourner ce dispositif de sécurité.

AVERTISSEMENT: Pour réduire le risque de choc électrique, utilisez uniquement le portable autonome fontaines ne dépassant pas 5 pieds dans n'importe quelle dimension.

ATTENTION: La pompe doit être connectée à un circuit qui est protégé par un disjoncteur différentiel.

CONSERVER CES INSTRUCTIONS

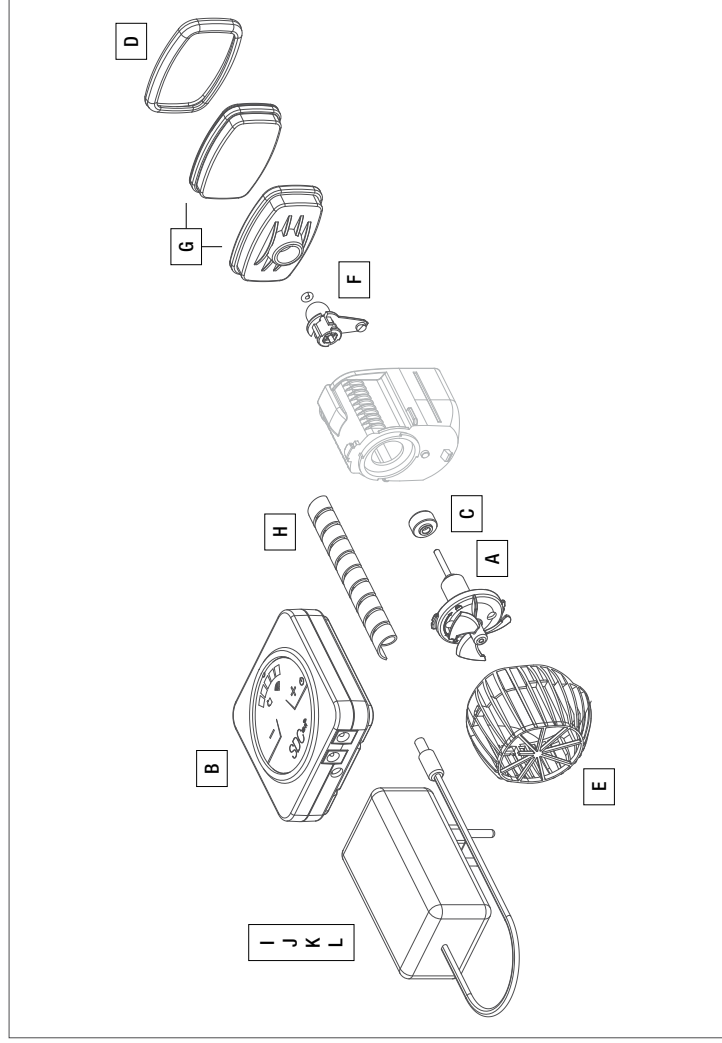


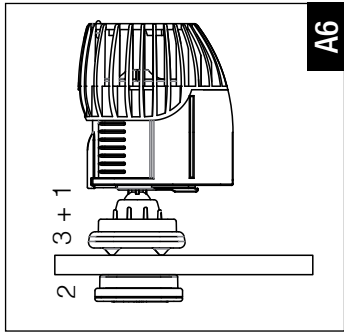
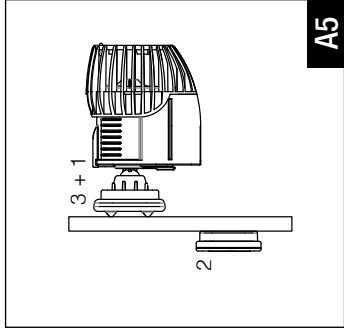
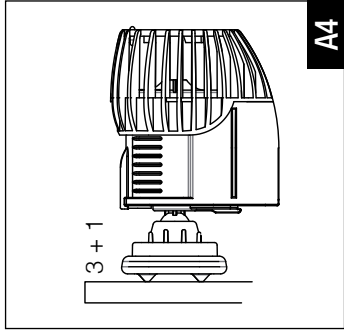
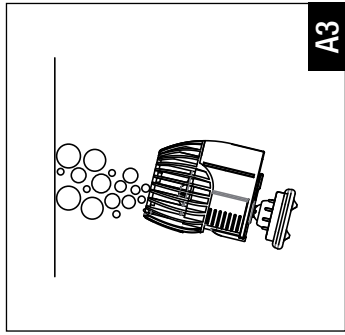
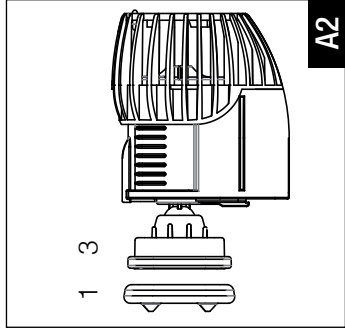
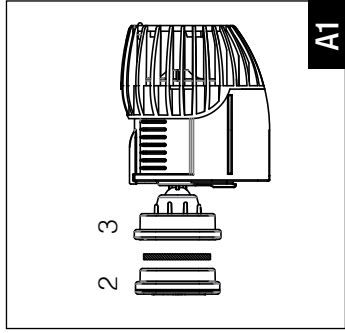
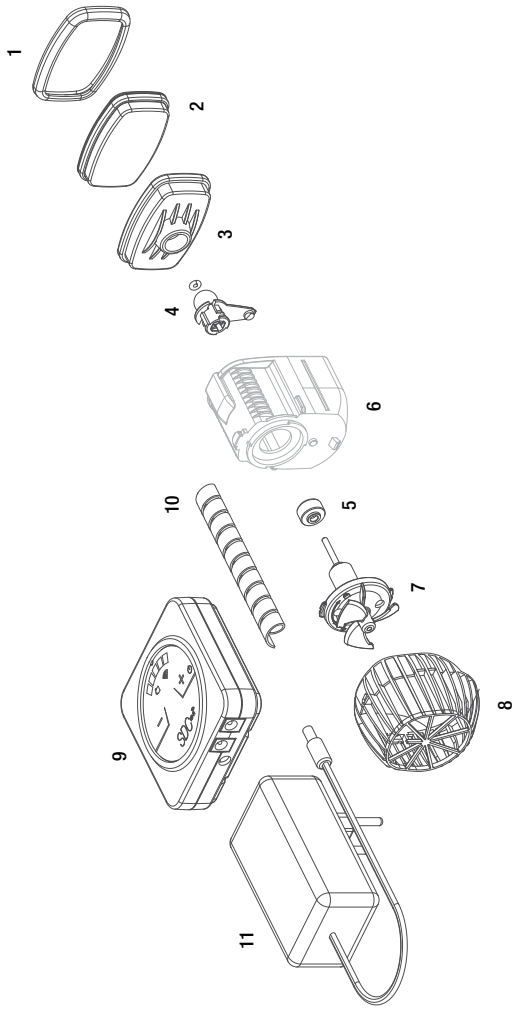
TECHNICAL DATA
XStream SDC (12 V)

Q max	220 - 240 V · 50 Hz	1000 - 8500 l/h
	110 - 120 V · 60 Hz	270 - 2250 US gph
	220 - 240 V · 50 Hz	12 W
Watt	110 - 120 V · 60 Hz	12 W
		2,2 m · 6,0 ft

SPARE PARTS

Rotor + stainless steel shaft	A	12 V	SGR0239
Controller	B		SKT0224
Bottom bearing with O-ring	C		SPL0120 (2 pcs.)
Anti-vibration rubber case	D		SPL0088
Grid with O-ring	E		SPL0086
Rotating mount + bearing	F		SPL0105
Magnet mount	G		SPL106
Chewsafe spiral cord cover	H		SPL0089
AC/DC power adaptor (EU)	I		SKT0220
AC/DC power adaptor (US)	J		SKT0221
AC/DC power adaptor (UK)	K		SKT0222
AC/DC power adaptor (AU)	L		SKT0223





A1

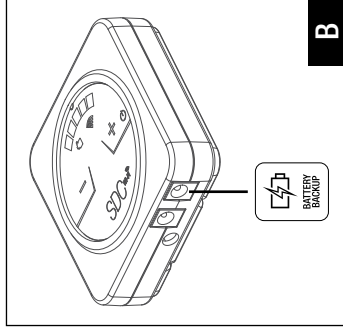
A2

A3

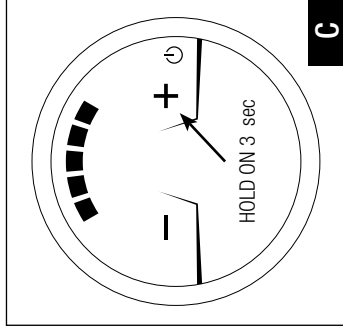
A4

A5

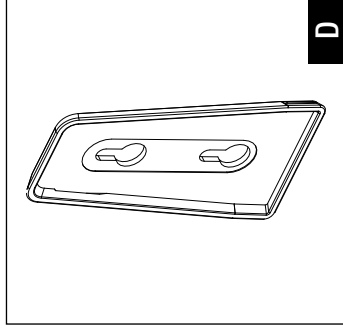
A6



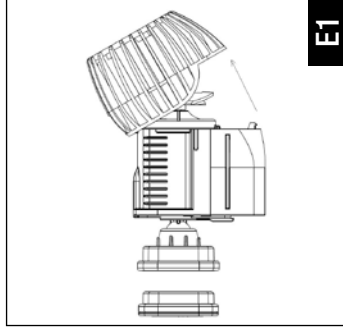
B



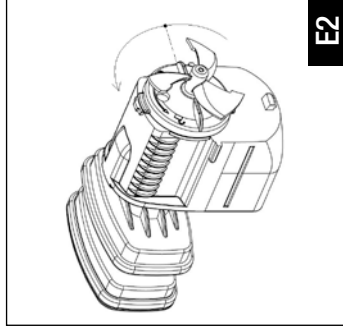
C



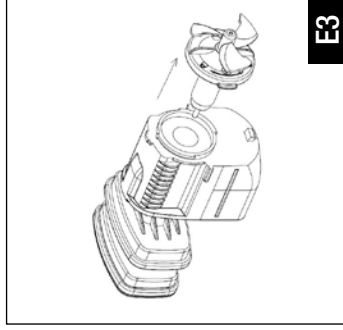
D



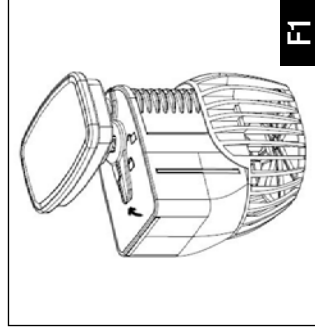
E1



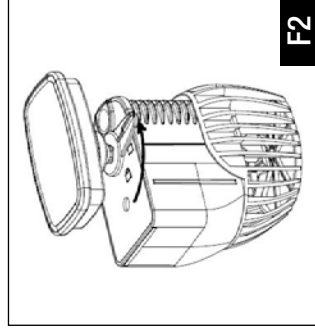
E2



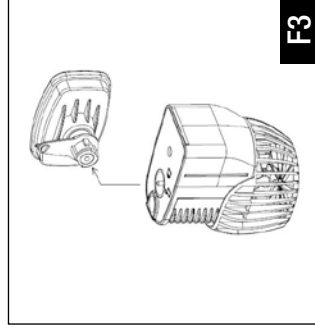
E3



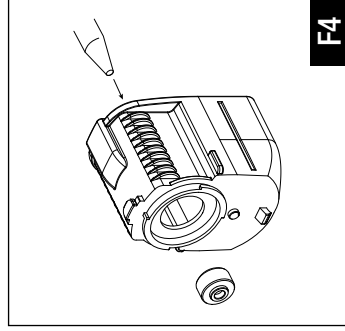
F1



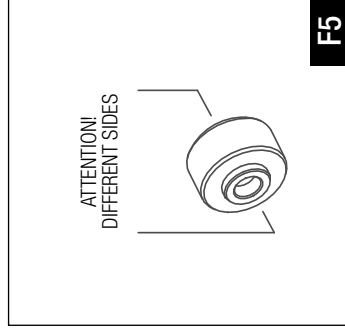
F2



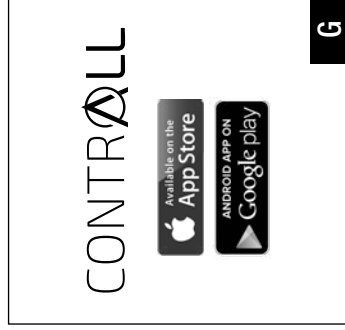
F3



F4



F5



G

CONTRALL



ATTENTION!
DIFFERENT SIDES



Thank you for choosing the SICCE XStream SDC The XStream SDC propeller pump is the latest addition to the cloud based family of interconnected Wi-Fi aquarium devices introduced by SICCE. It is ideal to be used in advanced marine tanks to create the most natural flow patterns. With the FREE download of CONTRALL, the end user can choose between several preset programs, create a custom program or schedule to suit the needs of their aquarium. As an option to controlling through the app, the water flow rate of the XStream SDC may also be adjusted directly using the attached controller. XStream SDC has been designed and made in Italy to rigorous quality standards on components and production.

IMPORTANT SAFETY INFORMATION

Please read carefully.

XStream SDC range are made in conformity with the national and international security laws. **1** Always isolate the pump from the mains electricity before installing or carrying out any maintenance. Power to the pump must be supplied through a Residual Current Device (RCD) with a rated residual operating current not exceeding 30mA. **2** This pump is designed to be used indoors and is not suitable for any outdoor applications. **3** Before connecting the pump to the electricity supply, check there are any damages on cord or plug. **4** The pump has a type Z cable link. The cable and the plug cannot be substituted or repaired; in case of damage of them replace the entire pump. **5** **ATTENTION:** do not operate any appliance if it has a damaged cord or plug, if it is malfunctioning, or if it has been dropped or damaged in any way. **6** Never operate the pump without water inside the impeller chamber or with liquids at a temperature higher than 95° F / 35° C. **7** Do not use the pump with corrosive and abrasive liquids. **8** Do not use the pump for uses different (i.e. in bathroom or other applications) to those for which it has been designed. **9** The pump cannot be used by people with handicaps or by children if they are not supervised by a person responsible for their safety. **10** Avoid closeness with blades, sharp objects or other magnets to prevent accidental injuries as the magnets of the support attract metal objects and other magnets with high force. **11** The magnets can provoke permanent damages to electronic devices and to other objects that are sensitive to magnetic field such as pacemakers, credit cards and keys: always keep them at least 30 cm (12 inches) distance. **12** The magnets could loose partially or completely their attracting power if exposed to temperature higher than 50° C (122° F). **13** Always leave a drip-loop in the pump cable to prevent water running down the cable and reaching the power source (*pic. 7*). **14** Avoid taking the pump by the cord during the installation or maintenance. **15** Do not try to attach directly the two magnets holder because the magnetic attraction is very high. Hold them only on the external sides paying attention not to put your hands or fingers in between.

COMPONENTS

[1] Anti-vibration rubber case [2] External magnet holder [3] Internal magnet holder [4] Shaft holder + o-ring [5] Ceramic bearing [6] Pump body [7] Rotor kit [8] Prefilter grid [9] Electronic controller [10] Chewsafe spiral cord cover [11] AC/DC power adaptor (*pic. 2*).

INSTALLATION

To install XStream SDC Pump proceed as follows: **1** Check the pump for damage. **2** Clean the aquarium glass where the pump will be attached. **3** Disconnect 2 from 3 removing the separator magnet (*pic. A1*). **4** Place the antivibration rubber case 1 on the magnet holder 3 (*pic. A2*). **5** Fully submerge the pump into the water keeping it in vertical position to release air trapped in the rotor and prevent some noise in the start up phase (*pic. A3*). **6** To avoid resonances and vibrations, do not put the pump directly in contact with the lateral surfaces nearby. Do not place the pump too close to sand and gravel at the bottom of the tank. **7** Place the pump in the desired location with holder 3 and the anti-vibration rubber case 1 adherent to the glass (*pic. A4*). **8** Attach the external magnetic support 2 to the tank at a 10 cm (3.93 inches) distance from the centre of the internal support 3 (*pic. A5*). Drag it until feeling of the opposite magnetic force. Position the centre of the supports 2 and 3 on the same axis (*pic. A6*). **ATTENTION:** Strong magnets. Use caution attaching the pump to the aquarium. Keep hands and fingers clear. **9** Turn the pump so that the flow is directed where desired. **10** Connect the pump cable to the controller's one, taking care to match it correctly, and tighten the ring nut. **11** Insert the power supply JACK type, on the left-hand side of the controller (to avoid errors, it does not enter the one on right). The right one has been designed to insert the back up battery case (**optional**) (*pic. B*). **12** Connect it to the electricity supply. **13** See the XStream SDC PROGRAMMING paragraph for pump operation.

HOW TO SET UP XStream SDC

Press and hold the button on the right (+) for 3" to switch on the pump. As a test, all the LEDs light up for few seconds. The pump starts at 50% of the operating range and by pressing the (+) or (-) the flow of the pump can be increased or decreased, the light intensity of the 5 LEDs will vary. The pump symbol illuminates the color set with the CONTRALL app. The Wi-Fi symbol will flash blue once the controller is configured and connected to the Wi-Fi network by CONTRALL app. If the pump is controlled by CONTRALL, it will not be possible to change its operation by controller. It will only be possible to switch it off by keeping the button on the right (+) pressed for 3".

HOW TO USE THE CONTROLLER XStream SDC

The Controller cannot be submersed into water and has to be taken close to the tank avoiding accidental drops. It can be placed on a surface, hung on the cabinet or on the tank's glass using the supplied base (with screws or double-sided adhesive supplied) (*pic. D*). We suggest to leave a drip loop (*pic. 1*) in the Controller and pump's cable to prevent water running down and reaching the power source. Handle the Controller with dry hands. The Controller can be used, regulating the pump's flow, only with XStream SDC made by SICCE and can be powered only by the included AC/DC Adaptor. Any other use could damage this electronic device making void the warranty.

BACK UP BATTERY

It is possible to connect to the controller, in the socket on the right, a pack of batteries (**NOT SUPPLIED***) that ensure the pump operation for up to 5 hours

(variable duration depending on the capacity of the batteries). If you decide to equip XStream SDC with this additional protection system, you need to connect the battery pack (3 x 3.7 V lithium batteries model 18650) to the appropriate socket in the controller. During normal operation, the battery pack will be kept charged by the controller itself and will enter in action when a temporary black out occurs, guaranteeing controller and pump operation for the estimated time. The pump, regardless of the programs set, will go to 50% of the power to increase its autonomy. At the same time, if the alerts have been activated in the CONTRALL App profile and the connected router is still functioning, the lack of electrical power will be notified. After a few minutes, the Wi-Fi module will turn off to extend the batteries life. When the batteries life is about to run out, the pump will shut off to prevent damage to them. When power is restored, everything will resume as before. ***In SICCE accessory range you can purchase the specific battery box with a connection cable to plug in the controller. The batteries (3 lithium 3.7 V model 18650) must be purchased separately from your dealer. Controller WARRANTY: 2 years.**

REGULAR MAINTENANCE

For the periodic maintenance, unplug the pump from the electric outlet/socket and remove the pump from the tank. Clean the pump and the rotor at regular intervals. Lime build up or heavy detritus in the water may necessitate more frequent cleaning. Remove the prefilter grid 8 from the pump 6 with light pressure to the sides by pulling it down (*pic. E1*). Rotate the front counterclockwise and remove the rotor 7 (*pic. E2-E3*). Carefully clean the pump's components with fresh water or using a soft brush with soap or vinegar. Rinse all parts well before returning the pump to the tank. After cleaning, re-assemble all components. SICCE products are designed for a long life and high, reliable service. Nevertheless, wear over time can create a little noise even after regular maintenance. Replacements parts are available.

ADDITIONAL MAINTENANCE

1) Remove the plug from the electrical socket and then completely remove the pump from the water. **2)** Lift the lever slightly (*pic. F1*) and turn it 90° anticlockwise (*pic. F2*). Pull to remove components 3 and 4 (*pic. F3*) from the back of the pump. Remove the prefilter grid and the rotor kit (*pic. E1-E3*), with the aid of a pen, push from the back towards the front to take out the ceramic bearing 5 (*pic. F4*). Pay attention on his positioning to then replace it correctly (*pic. F5*). **3)** Clean the ceramic bearing 5 with a soft brush to remove any residues or incrustations of salt or organic material, taking care not to remove it from the rubber. Re-assemble everything correctly before reconnecting the pump to the electrical socket.

ONLINE HELP

Watch our tutorial videos on THE SICCE YOU TUBE official channel
www.youtube.com/user/SICCEspa

INSTRUCTIONS FOR THE CORRECT DISCHARGE OF THE PRODUCT ACCORDING TO EU DIRECTIVE 2002/96/EC

When used or broken, the product does not have to be discharged with the other waste. It can be delivered to the specific electric waste collection centers or to dealers who give this service. Discharge separately an electric tool avoid negative consequences for the environment and for the Health and allows to regenerate the materials so to have a great saving of energy and resources.

PRODUCT REGISTRATION

By registering the product online in the "register the product" section on the website www.sicce.com, and filling in the required data, you will activate the "special online warranty" on the group rotor for 6 months from the date of purchase, cash register receipt will validate the registration. In case of no registration, the warranty will be managed as follows.

WARRANTY

This product is guaranteed against defects of materials and workmanship for a period of 3 years from the date of purchase, except the rotor kit. The warranty certificate must be filled in by the dealer and must accompany the pump if it is returned for repair, along with the cash register receipt or similar document. The warranty covers the replacement of the defective parts. In case of improper use, tampering or negligence by the buyer or user, the guarantee is void and expires immediately. The guarantee is also void in absence of the cash register receipt or similar document. The shipping cost to and from the factory, or the repair station, have to be paid by the buyer. **FIND OUT HOW TO GET YOUR PRODUCT GUARANTEED FOR 5 YEARS:** to improve our service and our clients' satisfaction, SICCE offers the possibility of adding a 2 years extension to the warranty by simply registering your product on our website www.sicce.com in "Sicce for you/Product registration". Fill-in the form and upload the product's purchase receipt. After having correctly inserted all your data, complete the warranty extension request.

Gentile Cliente grazie per aver scelto le pompe di movimento XStream SDC. Questa pompa rappresenta l'ultima novità di SICCE nella categoria di prodotti per acquario gestibili con la tecnologia Wi-Fi. E' ideale per l'utilizzo in acquari marini e di barriera perché permette di ricreare in modo naturale le correnti marine in base alla tipologia di pesci e coralli che popolano l'acquario. Scaricando gratuitamente l'app CONTRALL (*fig. G*) si potranno selezionare diverse modalità di funzionamento della pompa o personalizzarne il funzionamento in base alle caratteristiche dell'acquario. La potenza del flusso di XStream SDC potrà essere regolato anche in assenza di Wi-Fi utilizzando il controller collegato. Il prodotto da Lei acquistato è stato interamente progettato e prodotto in Italia a garanzia di qualità e controllo dei materiali usati.

NORME DI SICUREZZA

Le pompe della linea XStream SDC sono conformi alle norme di sicurezza nazionali ed internazionali. Per la Vostra sicurezza e per mantenere l'integrità del prodotto, Vi chiediamo di leggere con cura le seguenti indicazioni. **1)** Controllare che la tensione riportata sull'etichetta della pompa corrisponda alla tensione di rete. L'apparecchio deve essere alimentato attraverso un interruttore differenziale (salvavita), la cui corrente nominale sia inferiore o uguale a 30mA. **2)** La pompa può funzionare solo sommersa in acqua ed è esclusivamente per uso interno. La pompa non deve funzionare senz'acqua per evitare danni non riparabili al motore. **3)** Prima di collegare l'apparecchio alla rete controllare che il cavo e la pompa non risultino in qualche modo danneggiati. **4)** La pompa è costruita con un collegamento di tipo Z. Il cavo e la spina non possono essere sostituiti o riparati. In caso di danneggiamento sostituire l'intero apparecchio. **5) ATTENZIONE:** scollegare tutti gli apparecchi elettrici sommersi prima di eseguire qualsiasi tipo di manutenzione nell'acqua; nel caso in cui la spina di connessione o la presa di corrente fossero bagnate, scollegare l'interruttore generale prima di staccare il cavo dell'alimentazione. **6)** La pompa può essere utilizzata con liquidi (acqua dolce o salata) e in ambienti con temperatura non superiore ai 35° C / 95° F. **7)** Non utilizzare la pompa con liquidi corrosivi ed abrasivi. **8)** Non utilizzare l'apparecchio per scopi diversi da quelli per i quali è stato realizzato, come ad esempio in stanze da bagno o applicazioni simili. Per qualsiasi utilizzo differente si prega di contattare il rivenditore. **9)** Questo dispositivo non è progettato per essere utilizzato da persone (inclusi bambini) con ridotte capacità fisiche, sensoriali e mentali a meno che non siano supervisionati ed istruiti da persone responsabili per la loro sicurezza. Tenere il dispositivo lontano dalla portata dei bambini. **10)** Non avvicinarsi con lame, oggetti taglienti, o altri magneti per evitare di attivare le forze magnetiche esercitate dai supporti procurando ferite accidentali. **11)** I magneti possono provocare danni permanenti ad apparecchi elettronici e ad altri oggetti sensibili al campo magnetico, come pacemaker cardiaci, carte di credito e chiavi: mantenere sempre una distanza di almeno 30 cm (12 inches). **12)** I magneti potrebbero perdere parte o tutta la loro energia di trazione se conservati ad una temperatura superiore a 50° C (122° F). **13)** Per evitare che accidentali gocciolamenti bagnino la spina o la presa di corrente, realizzare con il cavo un'ansa sotto il livello della presa (*fig. 1*). **14)** Evitare di prendere la pompa dal cavo di alimentazione durante l'installazione e la manutenzione. **15)** Non cercare di unire direttamente le due calamite del supporto in quanto l'attrazione è molto alta, afferrarle quindi solo ai lati facendo attenzione alle mani e alle dita.

COMPONENTI

[1] Guaina antivibrazioni [2] Supporto magnetico esterno [3] Supporto magnetico interno [4] Supporto alberino + guarnizione [5] Boccola ceramica [6] Corpo pompa [7] Gruppo rotore [8] Griglia prefiltro [9] Controller elettronico [10] Tubo proteggi cavo in silicone [11] AC/DC trasformatore (*fig. 2*).

INSTALLAZIONE - USO E REGOLAZIONE

Per installare la pompa XStream SDC è necessario procedere come segue: **1)** Prima di mettere in funzione il prodotto, verificare l'integrità di tutte le sue parti. **2)** Pulire il vetro della vasca nella zona dove andrà posizionata la pompa. **3)** Staccare i due supporti magnetici 2 - 3 rimuovendo l'apposito separatore (*fig. A1*). **4)** Avvolgere la guaina antivibrazioni 1 al supporto magnetico interno 3 (*fig. A2*). **5)** Immergere completamente la pompa in acqua in posizione verticale per fare uscire l'aria dalla sede del rotore evitando così rumori fastidiosi in fase di partenza (*fig. A3*). **6)** Per evitare risonanze e vibrazioni e per evitare inoltre che sabbia, pietrisco o detriti vengano risucchiati dall'aspirazione della pompa non posizionarla in contatto con le superfici laterali, vicino o sul fondo della vasca. **7)** Posizionare la pompa nella sede desiderata con il supporto magnetico interno 3 e la guaina antivibrazioni 1 aderenti al vetro (*fig. A4*). **8)** Posizionare il supporto magnetico esterno 2 sulla superficie del vetro ad una distanza di 10 cm circa dal centro del supporto magnetico interno 3 (*fig. A5*). Trascinarlo con attenzione fino a percepirne la forza magnetica opposta e posizionare 2 e 3 in asse (*fig. A6*). **ATTENZIONE:** Data la forte forza attrattiva dei magneti, tale operazione deve essere fatta nel modo consigliato. **9)** Orientare la pompa nella posizione desiderata. **10)** Collegare il cavo della pompa a quello del controller, facendo attenzione ad orientarlo correttamente, e serrare la ghiera. **11)** Inserire il JACK dell'alimentatore sulla presa di sinistra del controller. Quella di destra serve per le batterie di backup (**optional**) (*fig. B*). **12)** Inserire la spina dell'alimentatore nella presa di corrente. **13)** Vedere il paragrafo PROGRAMMAZIONE XStream SDC per il funzionamento della pompa.

PROGRAMMAZIONE XStream SDC

Tenere premuto il tasto di destra (+) per 3" per accendere la pompa (*fig. C*). Come test, tutti i led si illuminano per qualche secondo. La pompa parte al 50% del range di funzionamento. Premendo a impulsi i tasti (+) e (-) è possibile aumentare o diminuire il flusso della pompa. Di conseguenza varierà l'intensità luminosa dei 5 led. Il simbolo della pompa si illuminerà del colore impostato tramite l'app CONTRALL. Il simbolo del Wi-Fi lampeggerà di blu una volta che il controller sarà configurato e abbinato alla rete Wi-Fi tramite l'app CONTRALL. Se la pompa è gestita tramite CONTRALL, non sarà possibile modificare il funzionamento usando il controller. Sarà solo possibile spegnerla tenendo premuto il tasto di destra (+) per 3".

INDICAZIONI D'USO CONTROLLER XStream SDC

Il Controller non è sommergibile e va tenuto in luogo asciutto e protetto contro gli spruzzi accidentali. Il Controller può essere appoggiato su un piano, appeso al muro o al vetro della vasca tramite la bassetta in dotazione (con viti o biadesivo) (*fig. D*). È consigliabile eseguire un'ansa sui cavi (*drip loop - fig. 1*) in modo da evitare che l'acqua possa correre lungo il cavo e giungere al Controller.

Comandare il Controller solo con le mani asciutte. Il Controller può pilotare solo le pompe XStream SDC regolandone il flusso, e può essere alimentato solo con il trasformatore in dotazione. Qualsiasi altro utilizzo potrebbe danneggiare in maniera irreparabile il dispositivo e far decadere la garanzia.

BATTERIA DI BACK UP

È possibile collegare al controller, nella presa di destra, un pacco di batterie (**NON IN DOTAZIONE***) che garantisce il funzionamento della pompa fino a 5 ore (durata variabile in base alla capacità delle batterie) anche in caso di black out. Se si decide di dotare XStream SDC di questo ulteriore sistema di protezione è necessario collegare il pacco di batterie (3 batterie al litio da 3.7 V modello 18650) all'apposita presa del controller (*fig. B*). Durante il normale funzionamento, il pacco di batterie verrà mantenuto in carica dal controller stesso ed entrerà in azione al verificarsi di temporanea mancanza di alimentazione da rete elettrica, garantendo il funzionamento di controller e pompa per il tempo stimato. La pompa, indipendentemente dai programmi impostati, andrà al 50% della potenza per aumentare l'autonomia. Nello stesso momento, se si sono attivate le allerte nel profilo di CONTRALL App ed il router connesso è ancora funzionante, verrà notificata la mancanza di alimentazione da rete elettrica. Dopo alcuni minuti, il modulo Wi-Fi si spegnerà per prolungare la durata delle batterie. Quando l'autonomia delle batterie è prossima ad esaurirsi, la pompa si spegnerà per evitare danni alle stesse. Al ripristino della corrente elettrica, tutto riprenderà come prima.

***Nella gamma accessori di SICCE si potrà acquistare lo specifico contenitore delle batterie dotato di cavo di connessione al controller. Le batterie (3 al litio da 3.7 V modello 18650) vanno acquistate a parte dal proprio rivenditore di fiducia.
GARANZIA Controller: 2 anni.**

MANUTENZIONE PERIODICA ORDINARIA

Per eseguire la manutenzione periodica ordinaria della pompa è necessario innanzitutto staccare la spina dalla presa di corrente elettrica e poi estrarre completamente la pompa dall'acqua. Pulire regolarmente e con cura il corpo pompa e il rotore. In caso di acqua molto calcarea, con sale e/o con molti residui, si consiglia una pulizia più frequente procedendo nel modo seguente: togliere la griglia 8 dal corpo pompa 6 applicando una leggera pressione ai lati e sfilandolo dal basso; ruotare il disco del gruppo rotore 7 in senso antiorario ed estrarre il rotore (*fig. E1-E3*). Pulire accuratamente tutte le parti e le loro sedi con acqua corrente. Non usare oggetti duri per togliere eventuali incrostazioni ma uno spazzolino morbido con aceto. L'uso di altri prodotti detergenti per la pulizia della pompa, se non risciacquati accuratamente, potrebbero alterare i valori normali dell'acqua. Dopo la pulizia, assemblare tutto in ordine inverso. I nostri prodotti sono stati progettati per una lunga durata, tuttavia l'usura nel tempo, del gruppo rotore potrebbe produrre un leggero rumore anche dopo le ordinarie operazioni di manutenzione. In questo caso si consiglia la semplice sostituzione di questo componente 7, disponibile nei punti vendita come pezzo di ricambio.

MANUTENZIONE STRAORDINARIA

1) Staccare la spina dalla presa di corrente elettrica e poi estrarre completamente la pompa dall'acqua. **2)** Sollevare leggermente la levetta (*fig. F1*) e ruotarla di 90° in senso

antiorario (*fig. F2*). Tirare per estrarre dal retro della pompa i componenti 3 e 4 (*fig. F3*). Rimuovere precamera e gruppo rotore (*fig. E1-E3*) e con l'ausilio di una penna spingere dal retro verso il fronte per estrarre la boccola 5 (*fig. F4*) facendo attenzione al suo orientamento per poterla poi re-inserire correttamente (*fig. F5*). **3)** Pulire la boccola in ceramica 5 con uno spazzolino morbido per togliere eventuali residui o incrostazioni di sale o materiale organico facendo attenzione a non rimuoverla dal gommino. Riposizionare tutto correttamente prima di ricollegare la pompa alla prese di corrente.

ASSISTENZA

Vi consigliamo di prendere visione dei nostri video Tutorial a supporto dell'installazione e manutenzione dei prodotti, disponibili nel canale ufficiale www.youtube.com/user/SICCEsr

AVVERTENZE PER IL CORRETTO SMALTIMENTO DEL PRODOTTO AI SENSI DELLA DIRETTIVA EUROPEA 2002/96/EC

Alla fine della sua vita utile, il prodotto non deve essere smaltito insieme ai rifiuti urbani. Può essere consegnato presso gli appositi centri di raccolta differenziata predisposti dalle amministrazioni comunali, oppure presso i rivenditori che forniscono questo servizio. Smaltire separatamente un elettrodomestico consente di evitare possibili conseguenze negative per l'ambiente e per la salute favorendo il recupero dei materiali ed un importante risparmio energetico.

REGISTRAZIONE PRODOTTO

Registrando il prodotto on line nell'apposita sezione "registra il prodotto" nel sito www.sicce.com e compilando i dati richiesti, attiverai la garanzia "special online warranty" di 6 mesi dalla data di acquisto, comprovata da scontrino fiscale, sul gruppo rotore. In mancanza di registrazione del prodotto, la garanzia verrà gestita come segue.

GARANZIA

Questo prodotto, con l'esclusione del gruppo rotore 7, è garantito per un periodo di 3 anni dalla data di acquisto, da difetti di materiale e lavorazione. Il certificato di garanzia deve essere compilato in ogni sua parte dal rivenditore, e dovrà accompagnare l'apparecchio nel caso in cui venga restituito per la riparazione, assieme allo scontrino fiscale o equivalente. La garanzia consiste nella sostituzione delle parti difettose qualora non siano stati rilevati uso improprio, manomissione o negligenza da parte dell'acquirente o utente rendendo nulla la garanzia con decadenza immediata. La garanzia è inoltre nulla in caso di mancanza dello scontrino fiscale d'acquisto o equivalente. Le spese di spedizione e rinvio sono a carico dell'acquirente. **SCOPRI COME OTTENERE 5 ANNI DI GARANZIA SUL TUO PRODOTTO:** per migliorare il servizio e la soddisfazione dei clienti, SICCE offre la possibilità di applicare 2 anni extra di garanzia semplicemente registrando il prodotto nel sito web www.sicce.com alla sessione "Sicce for you/ Registrazione prodotto". Compilare quindi il modulo nelle sue parti e caricare elettronicamente la ricevuta d'acquisto del prodotto.

Vielen Dank, dass Sie sich für ein SICCE Produkt entschieden haben. Die neue Strömungspumpe XStream SDC ist für Meer- und Süßwasser-Aquarien geeignet. Die Hochtechnologie MADE in ITALY garantiert einen kraftvollen Wasserfluss. Bei der Entwicklung der XStream SDC Pumpen sind die neuesten technischen Kenntnisse zum Einsatz gekommen. Sie sind sehr zuverlässig, wartungsarm und haben einen niedrigen Energieverbrauch. Für einen effizienten Einsatz der XStream SDC Pumpe mit Controller lesen Sie bitte sorgfältig diese Anleitung.

SICHERHEITSVORSCHRIFTEN

XStream SDC entsprechen den aktuellen internationalen Sicherheitsnormen. Damit Sie die Eigenschaften dieses Qualitätsprodukts optimal ausnützen können, bitten wir Sie folgende Hinweise aufmerksam zu lesen. **1)** Vor Gebrauch der Pumpe ist die auf dem Etikett angegebene Netzspannung zu überprüfen. Die Pumpe sollte über FI- Schutzschalter <30mA betrieben werden. **2)** Die Pumpe darf nur unter Wasser verwendet werden und ist nicht für eine Verwendung im Freien geeignet. Nur zur Verwendung in Räumen. Für aquaristische Einsatzbereiche. **3)** Nicht installieren wenn Kabel oder Pumpe in irgendeiner Weise defekt erscheinen. **4)** Die Pumpe ist mit einem Z-Anschluss gebaut. Die Anschlussleitung dieses Gerätes kann nicht ersetzt werden; bei Beschädigung der Leitung sollte das Gerät vernichtet werden. **5) ACHTUNG:** Vor jedem Eingriff an der Pumpe die Stromversorgung aller elektrischen, im Wasser eingetauchten Apparate abschalten. **6)** Schalten Sie die Pumpe niemals ein, wenn die Kammer des Pumpenrads kein Wasser enthält oder die Flüssigkeitstemperatur über 35° C (95° F) liegt. **7)** Die Pumpe darf nicht mit ätzenden oder abrasiven Flüssigkeiten verwendet werden. **8)** Die Pumpe darf nicht für andere Anwendungen eingesetzt werden. **9)** Die Pumpe darf ohne Aufsicht nicht von behinderten Menschen und von Kindern benutzt werden. **10)** Aufgrund der hohen magnetischen Zugkraft des Magnethalters ist er außer Reichweite von Kindern zu halten. **11)** Die Magneten können bei elektronischen und anderen Geräte, die auf Magnetfelder empfindlich sind, wie z.B. Herzschrittmacher, Kreditkarten und Schlüssel, permanente Schäden verursachen: Halten Sie ihnen deshalb immer auf einer Distanz von mindestens 30 cm (12 inches). **12)** Bei einem Temperatureinsatzbereich von 50° C (122° F) könnte der Magnet seine Zugkraft teilweise, wenn nicht sogar ganz, verlieren. **13)** Zu Ihrer eigenen Sicherheit empfiehlt es sich, mit dem Netzkabel eine Tropfschleife zu bilden, die verhindert, dass evtl. am Kabel entlang laufendes Wasser in die Steckdose gelangt (Abb. 1). **14)** Das Kabel ist weder durchzuschneiden noch ist daran zu ziehen um die Stromspeisung zu unterbrechen. **15)** Versuchen Sie nicht, die beiden Magnethalter direkt anzubringen, da die magnetische Anziehungskraft sehr hoch ist. Halten Sie sie nur an den Außenseiten und achten Sie darauf, Ihre Hände oder Finger nicht dazwischen zu legen.

BESTANDTEILE

[1] Anti-Vibrationsmatte [2] Externe Magnetische Halterung [3] Interne Magnetische Halterung [4] Achse Halterung + o-Ring [5] Pumpendeckel [6] Pumpegehäuse [7] Propeller Kit [8] Schutzgitter [9] Controller [10] Lärmabsorbierende Verkleidung [11] Netzteil (Abb. 2).

INSTALLATION

Um die XStream SDC-Pumpe zu installieren, gehen Sie bitte wie folgt vor: **1)** Vor Anschluss des Geräts, vergewissern Sie sich Unversehrtheit des Produkts. Insbesondere dürfen das Kabel und die Pumpe keinerlei Beschädigungen aufweisen. **2)** Reinigen Sie bitte die betroffene Stelle, bevor Sie den Magnethalter an der Aquariumsscheibe befestigen. **3)** Trennen Sie 2 von 3 und der Trennmagnet entfernen (Abb. A1). **4)** Legen Sie die Anti-Vibrationsmatte 1 in die magnetische Halterung 3 ein (Abb. A2). **5)** Tauchen Sie die Pumpe vollständig ins Wasser ein und lassen Sie die in der Pumpenkammer enthaltene Luft entweichen indem Sie die Pumpe in senkrechter Position halten (Abb. A3). **6)** Um Resonanzen oder Vibrationen zu vermeiden empfehlen wir die Pumpe so einzubauen, dass kein seitlicher Kontakt mit der Aquariumsscheibe zustande kommt auch dann nicht, wenn sie senkrecht auf dem Boden steht. **7)** Setzen Sie und orientieren Sie die Pumpe in die gewünschte Position und Richtung (Abb. A4). **8)** Während man die Pumpe am inneren Halter 2 mit einer Hand festhält, wird der äußere Magnethalter 3 in einem Abstand von ca. 10 cm (4 inches) von der Mitte des inneren Halters auf die Scheibe des Aquariums gesetzt und dann verschoben (Abb. A5) bis die Anziehungskraft des entgegengesetzten Magneten spürbar wird. Verschieben Sie vorsichtig den externen Magnet- Saugnapfhalter so, dass die Zentren beider Magnethalter übereinstimmen und somit auf gleicher Achse liegen. (Abb. A6). **ACHTUNG:** Die Magneten dürfen nur wie beschreibt eingeführt werden, um Zerbrechen der Scheibe zu vermeiden. **9)** Befestigen Sie nun die Pumpe mit dem internen Magnethalter an der gewünschten Stelle auf der Aquariumsscheibe. **10)** Schließen Sie das Pumpenkabel an das des Controllers an, achten Sie auf die korrekte Ausrichtung und ziehen Sie die Ringmutter fest. **11)** Stecken Sie den Netzteilanschluss auf der rechten Seite des Controllers ein. **12)** Schließen Sie den Netzstecker an. **13)** Informationen zum Pumpenbetrieb finden Sie im Abschnitt "XStream SDC PROGRAMMIERUNG".

DAS EINRICHTEN EINER XStream SDC

Drücken und halten Sie die Taste auf der rechten Seite (+) für 3 Sek. gedrückt um die Pumpe einzuschalten. Als Bestätigung leuchten alle LEDs für einige Sekunden auf. Die Pumpe startet bei 50% der Leistung und durch drücken der (+) oder (-) Taste kann die Strömung der Pumpe erhöht oder verringert werden. Die Lichtintensität der 5 LEDs variiert. Das Pumpensymbol leuchtet in der mit der CONTRALL App eingestellten Farbe auf. Das Wi-Fi Symbol blinkt blau, sobald der Controller über die CONTRALL App konfiguriert und mit dem Wi-Fi Netzwerk verbunden ist. Wenn die Pumpe mit der App CONTRALL gesteuert wird, kann diese nicht über den Controller gesteuert werden. Sie können ihn nur ausschalten, indem Sie die Taste rechts (+) 3 Sek. gedrückt halten.

GEBRAUCHSINFORMATIONEN ZUM CONTROLLER

Der Controller kann nicht unter Wasser betrieben werden. Er sollte in der Nähe des Aquariums platziert werden. Er kann am Aquarium befestigt oder im Aquarienschrank platziert werden (Abb. D). Verlegen Sie die Netzkabel von Controller und Pumpe mit einer Tropfschleife, die das Herunterlaufen von Wassertropfen in die Steckdose verhindert. Bedienen Sie den Controller nur mit trockenen Händen. Der Controller ist

nur für den Betrieb mit der Pumpe SICCE XStream SDC zugelassen und darf nur mit dem eingebauten Transformator betrieben werden. Jeder andere Gebrauch kann die Elektronik beschädigen und führt zum Erlöschen jeglicher Garantiesprüche.

NOTFALL AKKUS

An den Controller kann an der rechten Buchse ein Akkupack angeschlossen werden (**NICHT BEILIEGEND**)*, das den Pumpenbetrieb für bis zu 5 Stunden gewährleistet (Dauer abhängig von der Kapazität der Akkus). Wenn Sie sich dafür entscheiden, XStream SDC mit diesem zusätzlichen Akkupack auszustatten, müssen Sie dieses (3 x 3,7 V-Lithiumbatterien, Modell 18650) an die entsprechende Buchse im Controller anschließen. Während des normalen Betriebs wird der Akku vom Controller aufgeladen und tritt bei einem vorübergehenden Stromausfall in Kraft, wodurch der Betrieb von Controller und Pumpe für die geschätzte Zeit garantiert wird. Unabhängig von den eingestellten Programmen, läuft die Pumpe auf 50% der Leistung um ihre Autonomie zu erhöhen. Wenn Alarmer in der CONTRALL App aktiviert wurden, und der verbundene Router weiterhin funktioniert, wird der Stromverlust gemeldet. Nach einigen Minuten schaltet sich das Wi-Fi Modul aus, um die Lebensdauer der Akkus zu verlängern. Wenn die Akkus fast leer sind, schaltet sich die Pumpe ab, um Schäden zu vermeiden. Wenn die Stromversorgung wiederhergestellt ist, läuft alles weiter wie zuvor.

***Bei SICCE können Sie die spezifische Batteriebox erwerben. Die Batterien (3 Lithium 3,7 V Modell 18650) müssen separat von Ihrem Händler erworben werden.**

Controller Garantie: 2 Jahre.

PFLEGE UND WARTUNG

Zuerst den Netzstecker der Pumpe ziehen. Die Pumpe gemäß Zeichnung zerlegen. Reinigen und pflegen Sie die Pumpe und den Rotor regelmäßig. Kalkaufbauten oder schweres Gestein im Wasser können eine häufigere Reinigung und periodische Pumpenwartung erforderlich machen. Entfernen Sie das Gitter 8 von der Pumpe mit leichtem Druck auf die Seiten; Drehen Sie den vorderen Teil des Propellers und entfernen Sie den Rotor 7 (**Abb. E1-E3**). Das Laufrad und seinen Sitz mit einer weichen Bürste von Kalkrückständen befreien, ohne Reinigungsmittel oder Lösungsmittel zu verwenden. Vor dem Einsetzen der Pumpe in das Aquarium alle Teile gut spülen. Nach der Pumpereinigung bauen Sie alle Komponenten wieder zusammen. SICCE Produkte sind für eine lange Lebensdauer und zuverlässigen Betrieb konzipiert. Auch mit periodischer Pumpenwartungen, empfehlen wir die Verschleißteile je nach Bedarf zu ersetzen. Ersatzteile sind verfügbar.

ZUSÄTZLICHE PUMPENWARTUNG

1) Zuerst Netzstecker der Pumpe ziehen. Erst danach dürfen Sie die Pumpe vom Wasser entfernen. **2)** Die Pumpe vom Halter befreien (**Abb. F1**) und drehen Sie die Pumpe um 90° gegen den Uhrzeigersinn (**Abb. F2**). Ziehen Sie den Komponenten 3 und 4 (**Abb. F3**) von der Rückseite der Pumpe an. Entfernen Sie das Vorfiltergitter und den Rotorsatz (**Abb. E1-E3**) und drücken Sie mit einem Stift von hinten nach vorne, um das Keramiklager 5 herauszunehmen (**Abb. F4**). Die Keramikbuchse (5) mit einer weichen Bürste von Kalkrückständen befreien, ohne Reinigungsmittel

oder Lösungsmittel zu verwenden. Achten Sie auf die Positionierung, um sie richtig auszutauschen (**Abb. F5**). Montieren Sie alles wieder, bevor Sie die Pumpe wieder an die Steckdose anschließen.

ONLINEHILFE UND SUPPORT

Schauen Sie sich unsere Tutorial Videos auf dem offiziellen SICCE YOUTUBE Kanal an: www.youtube.com/user/SICCEspa

ENTSORGUNG (NACH RL2002/96/EC)

Gerät darf nicht dem normalen Hausmüll beigefügt werden, sondern muss fachgerecht entsorgt werden. Wichtig für Deutschland: Gerät über Ihre kommunale Entsorgungsstelle entsorgen. Entsorgung von Altgeräten: Wenn dieses Symbol eines durchgestrichenen Abfallimers auf einem Produkt angebracht ist, unterliegt dieses Produkt der europäischen Richtlinie 2002/96/EC. Alle Elektro- und Elektronik-Altgeräte müssen getrennt vom Hausmüll über die dafür staatlich vorgesehenen Stellen entsorgt werden. Mit der ordnungsgemäßen Entsorgung des alten Geräts vermeiden Sie Umweltschäden und eine Gefährdung der persönlichen Gesundheit. Weitere Informationen zur Entsorgung des alten Geräts erhalten Sie bei der Stadtverwaltung, beim Entsorgungsamt oder in dem Geschäft, wo Sie das Produkt erworben haben. Produktregistrierung Durch die Online-Registrierung Ihres Produkts auf www.sicce.com im Bereich "Produktregistrierung" und das Eingeben der erforderlichen Daten, aktivieren Sie die "spezielle Online-Garantie" auf die Baugruppe Rotor für 6 Monate ab den Kaufdatum. Der Kassenbeleg validiert die Registrierung. Wenn keine Registrierung erfolgt, wird die Garantie wie folgt gehandhabt.

GARANTIE

Wir garantieren für 3 Jahre ab Kaufdatum (ausschließlich dem Rotor 7) für fehlerhaftes Material und Fabrikationsfehler. Im Garantiefall schicken Sie bitte das reklamierte Gerät mit der vom Händler ausgefüllten Garantiekarte und der datierten Kaufquittung oder Rechnung zu dem Händler ein. Mangelnde Pflege und unsachgemäße Behandlung haben einen Garantieverlust zur Folge. Die Garantie besteht im Austausch der schadhaften Teile. Die Kosten für Versand und die Rücksendung gehen zu Lasten des Käufers. **SO KÖNNEN SIE DIE GARANTIE FÜR IHR PRODUKT AUF 5 JAHRE VERLÄNGERN:** Um unseren Service zu verbessern und die Zufriedenheit unserer Kundinnen und Kunden zu erhöhen, bietet SICCE Ihnen die Möglichkeit, die Garantie um 2 Jahre zu verlängern. Hierfür müssen Sie das Produkt lediglich auf unserer Website www.sicce.com beim „Quality Control Department“ registrieren. Füllen Sie dazu einfach das Formular aus und laden Sie den Kaufbeleg des Produkts hoch. Im Anschluss an die korrekte Eingabe der Daten können Sie die Garantie-Anforderung ausfüllen.

Cher client, Merci d'avoir choisi les pompes de mouvement XStream SDC. Cette pompe représente la dernière nouveauté de SICCE dans la catégorie de produits pour aquariums pouvant être gérés avec la technologie Wi-Fi. Elle est idéale pour les aquariums marins et de barrière, car elle permet de recréer de manière naturelle les courants marins en fonction du type de poissons et de coraux qui habitent l'aquarium. En téléchargeant gratuitement l'application CONTRALL (fig. G), vous pourrez sélectionner différents modes de fonctionnement de la pompe ou en personnaliser le fonctionnement en fonction des caractéristiques de l'aquarium. La puissance du débit de XStream SDC pourra également être réglée en l'absence de Wi-Fi à l'aide du contrôleur connecté. Le produit que vous avez acheté a été entièrement conçu et fabriqué en Italie pour garantir la qualité et le contrôle des matériaux utilisés.

NORMES DE SECURITE

Les pompes XStream SDC sont conformes aux normes de sécurité nationales et internationales. Pour votre sécurité et pour préserver l'intégrité du produit, nous vous demandons de bien vouloir lire attentivement les informations suivantes:

- 1)** Veuillez vérifier que la tension indiquée sur l'étiquette de la pompe corresponde bien à celle de votre réseau électrique. Cet appareil électrique doit être alimenté par l'intermédiaire d'un disjoncteur différentiel (dit de sécurité) avec un seuil de déclenchement inférieure ou égal à 30mA.
- 2)** La pompe peut fonctionner uniquement immergée dans l'eau et exclusivement à l'intérieur de la maison. La pompe ne doit pas fonctionner sans eau pour éviter d'endommager le moteur.
- 3)** Avant de connecter l'appareil électrique au réseau, veuillez vérifier que le câble d'alimentation ne soit pas endommagé.
- 4)** La pompe est construite avec une connexion électrique de type «Z». Le câble et la prise ne peuvent être ni remplacés ni réparés. En cas de dommages du câble ou de la prise, il est nécessaire de remplacer toute la pompe.
- 5) ATTENTION:** déconnecter tous les appareils électriques immergés avant une quelconque manutention dans l'eau. Si la prise de courant est mouillée ou humide, déconnecter l'interrupteur général avant de débrancher la prise.
- 6)** La pompe peut être utilisée dans des liquides ou des ambiances dont les températures ne dépassent pas 35° C / 95° F.
- 7)** Ne pas utiliser l'appareil avec des liquides corrosifs ou abrasifs.
- 8)** Ne pas utiliser l'appareil pour des applications différentes de celles pour lesquelles il a été conçu. Pour des utilisations différentes, contacter votre revendeur.
- 9)** Cet appareil n'a pas été conçu pour une utilisation par des personnes ayant une capacité physique, sensorielle ou mentale réduite, y compris des enfants, sauf en cas de surveillance par une tierce personne responsable de leur sécurité. S'assurer que les enfants ne touchent pas cet appareil.
- 10)** Pour ne pas se blesser, éviter d'approcher accidentellement des lames, des objets pointus ou d'autres aimants près des aimants du support. Ces aimants attirent fortement les objets métalliques ou les autres aimants.
- 11)** Les aimants peuvent endommager définitivement les appareils électroniques ainsi que d'autres objets sensibles aux champs magnétiques, comme cartes bancaires ou stimulateurs cardiaques. Tenir ces appareils au moins à une distance de 30 cm.
- 12)** Les aimants peuvent perdre toute ou partie de leur attraction s'ils sont maintenus à une température supérieure à 50° C (122° F).
- 13)** Pour éviter que des gouttes d'eau coulent le long du câble électrique et mouillent la prise de courant ou la prise murale, nous conseillons d'effectuer une boucle du câble en-dessous du niveau de la prise de courant (fig. 1).
- 14)** Ne pas tirer la pompe par le câble d'alimentation pour la déplacer ou la soulever durant l'installation ou l'entretien.
- 15)** Ne pas essayer d'unir directement les deux aimants du

support car l'attraction entre les deux est très forte. Prendre-les donc seulement aux bords en faisant attention à ne pas mettre les doigts ou la main entre les deux.

COMPOSANTS

[1] Couche amortissante [2] Support magnétique externe [3] Support magnétique interne [4] Support de l'axe + joint torique [5] Buisson en céramique [6] Corps de la pompe [7] Kit Rotor [8] Grille de préfiltration [9] Contrôleur Electronique [10] Spiral phono-absorbant [11] AC/DC transformateur (fig. 2).

INSTALLATION - UTILISATION ET REGLAGES

Veuillez procéder comme suit pour l'installation de la pompe XStream SDC:

- 1)** Avant de mettre le produit en fonction, veuillez vérifier l'intégrité de tous les composants.
- 2)** Nettoyer la vitre où la pompe sera installée.
- 3)** Découper 2 de 3 en retirant le séparateur d'aimants (fig. A1).
- 4)** Enrouler la couche amortissante 1 au support magnétique intérieur 3 (fig. A2).
- 5)** Immerger complètement la pompe dans l'eau en la gardant en position verticale pour sortir l'air emprisonné dans le rotor. (fig. A3).
- 6)** Pour éviter les résonances et vibrations, ne pas positionner la pompe en contact direct ou en proximité des surfaces latérales. Pour éviter également que le sable ou le gravier dans l'aquarium soient aspirés par la pompe, ne pas la positionner près du fond de l'aquarium.
- 7)** Positionner la pompe dans le logement désiré avec le support magnétique interne 3 et la gaine anti-vibrations 1 collés au verre (fig. A4).
- 8)** Positionner le support magnétique extérieur 2 sur la surface du verre à une distance de 10 cm environ du centre du support magnétique interne 3 (fig. A5). Le faire glisser avec attention jusqu'à sentir la force magnétique contraire et positionner 2 et 3 dans l'axe (fig. A6).
- ATTENTION:** Compte tenu de la puissante force d'attraction des aimants, cette opération doit être effectuée de la manière conseillée.
- 9)** Orienter la pompe de sorte que le débit soit dirigé à l'endroit souhaité.
- 10)** Connectez le câble de la pompe à celui du contrôleur, en veillant à bien le faire correspondre, puis serrez la bague. **11)** Insérez le type d'alimentation JACK, du côté droit du contrôleur (pour éviter les erreurs, n'entrez pas celui de droite) (fig. B).
- 12)** Brancher la prise de courant.
- 13)** Voir le paragraphe PROGRAMMATION XStream SDC pour le fonctionnement de la pompe.

PROGRAMMATION XStream SDC

Maintenir le bouton de droite (+) pressé pendant 3" pour allumer la pompe (fig. C). À titre d'essai, tous les voyants s'allument pendant quelques secondes. La pompe démarre à 50% de la plage de fonctionnement. En appuyant par impulsions sur les touches (+) et (-), il est possible d'augmenter ou de diminuer le débit de la pompe. Par conséquent, l'intensité lumineuse des 5 voyants variera. Le symbole de la pompe s'allumera de la couleur définie à l'aide de l'appli CONTRALL. Le symbole Wi-Fi clignotera en bleu une fois que le contrôleur sera configuré et associé au réseau Wi-Fi via l'appli CONTRALL. Si la pompe est gérée par CONTRALL, il ne sera pas possible de modifier son fonctionnement à l'aide du contrôleur. Il ne sera possible de l'éteindre qu'en maintenant le bouton droit (+) pressé pendant 3".

MODE D'EMPLOI Contrôleur XStream SDC

Le contrôleur n'est pas submersible et doit être conservé dans un endroit sec et

protégé contre les éclaboussures accidentelles. Le contrôleur peut être placé sur une surface, suspendu au meuble ou au verre de la cuve par la base fournie (avec des vis ou une bande adhésive double face) (fig. D). Il est conseillé de faire une boucle sur les câbles (boucle anti-goutte - fig. 1) afin d'éviter que l'eau puisse couler le long du câble et atteindre le contrôleur. Utiliser le contrôleur uniquement avec les mains sèches. Le contrôleur peut uniquement piloter les pompes XStream SDC en réglant le débit et ne peut être alimenté qu'avec le transformateur fourni. Toute autre utilisation pourrait endommager irrémédiablement l'appareil et annuler la garantie.

BATTERIE DE SECOURS

Il est possible de connecter au contrôleur, dans la prise de droite, un bloc batterie (NON FOURNI*) garantissant le fonctionnement de la pompe jusqu'à 5 heures (durée variable en fonction de la capacité des batteries), même en cas de panne de courant. Si vous décidez d'équiper XStream SDC de ce système de protection supplémentaire, il faut connecter le bloc batteries (3 piles au lithium de 3,7 V modèle 18650) à la prise correspondante du contrôleur (fig. B). Pendant le fonctionnement normal, le bloc batteries sera maintenu en charge par le contrôleur et entrera en action en cas de coupure de courant temporaire du réseau, garantissant le fonctionnement du contrôleur et de la pompe pendant la durée estimée. La pompe, quel que soit le programme défini, utilisera 50% de la puissance pour augmenter son autonomie. En même temps, si les alertes ont été activées dans le profil de l'appli CONTRALL et que le routeur connecté fonctionne toujours, l'absence d'alimentation du réseau sera notifié. Après quelques minutes, le module Wi-Fi s'éteindra pour prolonger la durée des batteries. Quand l'autonomie des batteries est sur le point de s'épuiser, la pompe s'arrête pour éviter de les endommager. Une fois le courant rétabli, tout reprendra comme avant.

***Dans la gamme accessoires de SICCE, on pourra acheter le conteneur de batterie spécifique doté d'un câble de connexion au contrôleur. Les batteries (3 au lithium de 3,7 V modèle 18650) doivent être achetées séparément auprès de votre revendeur de confiance.**

GARANTIE Contrôleur: 2 ans.

ENTRETIEN PÉRIODIQUE

Avant d'effectuer un entretien périodique de la pompe, il est nécessaire de débrancher la prise de courant et de retirer entièrement la pompe de l'aquarium. Nettoyer régulièrement la pompe et le rotor. En cas d'eau très calcaire ou très chargée, un nettoyage plus fréquent est conseillé. Retirer la grille 8 du corps de pompe 6 en appliquant une légère pression sur les côtés en tirant vers le bas; tourner l'avant en sens antihoraire et retirer le rotor 7 (fig. E1-E3). Ne pas utiliser des objets pointus pour enlever des incrustations éventuelles mais utiliser une petite brosse souple avec du savon ou du vinaigre. Rincer l'ensemble sous l'eau courante. Si la pompe n'est pas rincée soigneusement, l'utilisation de produits détergent de nettoyage pourrait modifier les valeurs normales de l'eau. Après le nettoyage, remonter tous composants. Les produits SICCE sont conçus pour une longue durée de vie et une haute fiabilité. L'usage peut néanmoins rendre le produit bruyant; pièces de rechange sont disponibles.

ENTRETIEN SUPPLEMENTAIRE

1) Débrancher la prise de courant électrique et puis extraire complètement la pompe de

l'eau. 2) Soulever légèrement le levier (fig. F1) et le tourner de 90° dans le sens inverse des aiguilles d'une montre (fig. F2). Tirer pour extraire les composants 3 et 4 (fig. F3) de l'arrière de la pompe. Retirer la préchambre et le groupe rotor (fig. E1-E3) et à l'aide d'un stylo, pousser de l'arrière vers l'avant pour extraire la bague 5 (fig. F4) en faisant attention à son orientation pour pouvoir ensuite la réintroduire correctement (fig. F5). 3) Nettoyer la bague en céramique 5 avec une brosse souple pour éliminer les éventuels résidus ou incrustations de sel ou de matériau organique, en veillant à ne pas la retirer du caoutchouc. Repositionner tout correctement avant de rebrancher la pompe à la prise de courant.

SUPPORT EN LIGNE

Regarder nos vidéos-notice sur le canal officiel YOUTUBE SICCE
www.youtube.com/user/SICCEspa

INSTRUCTIONS POUR LA DÉCHARGE CORRECTE DU PRODUIT SELON L'EU 2002/96/EC DIRECTIF

Cet appareil ne doit pas être jeté dans les poubelles domestiques mais doit suivre les procédures d'élimination prévues pour les déchets électriques. La décharge séparément d'un outil électrique évite des conséquences négatives pour l'environnement et pour la santé et permet de régénérer les matériaux pour avoir une grande économie d'énergie et des ressources.

ENREGISTREMENT DU PRODUIT

En enregistrant le produit en ligne dans la section "enregistrer le produit" du site Web www.sicce.com et en remplissant les données requises, vous activerez la garantie "garantie spéciale en ligne" de 6 mois, à compter de la date d'achat, démontrée par le reçu fiscal, sur le groupe rotor. En l'absence d'enregistrement du produit, la garantie sera traitée comme suit.

GARANTIE

Ce produit, à l'exclusion du rotor 7, est garanti pendant une période de 3 ans à compter de la date de l'achat, contre les défauts du matériel et de fabrication. Le certificat de garantie doit être rempli dans toutes ses parties par le revendeur et devra accompagner l'appareil s'il est restitué pour la réparation, avec le ticket de caisse ou autre titre d'achat équivalent. La garantie consiste dans le remplacement des pièces défectueuses. En cas d'utilisation incorrecte, de manipulation ou de négligence de la part de l'acheteur ou de l'utilisateur, la garantie s'annule et perd son effet immédiatement. D'autre part, la garantie s'annule également en cas d'absence du ticket de caisse ou d'un titre d'achat équivalent. Les frais d'expédition et de renvoi sont à la charge de l'acheteur. **DECouvrez COMMENT OBTENIR 5 ANS DE GARANTIE SUR VOTRE PRODUIT:** pour améliorer le service et la satisfaction de nos clients, SICCE offre la possibilité d'obtenir 2 ans de garantie supplémentaire simplement en enregistrant votre produit sur notre site Internet www.sicce.com dans la section "Quality Control Department". Remplir le formulaire et charger électroniquement le reçu d'achat du produit. Après avoir rempli correctement vos données, vous aurez ensuite la possibilité de remplir la demande de garantie supplémentaire.

Apreciado cliente, gracias por elegir las bombas SICCE XStream SDC, la última generación de bombas de circulación para acuarios marinos y de agua dulce. XStream SDC, diseñada y fabricada en Italia bajo unos rigurosos estándares de calidad en sus componentes y en su producción, es una bomba tecnológicamente avanzada de alto rendimiento, larga duración, bajo consumo, de fácil uso y mantenimiento. La versión electrónica, XStream SDC, con Mini Controller electrónico y programas de tiempo preestablecidos, satisfará las expectativas del cliente más exigente que busca combinar el máximo silencio con los ambientes acuáticos naturales y paisajísticos. El producto que ha adquirido ha sido diseñado y fabricado en Italia, para garantizar el control y la calidad de los materiales utilizados.

NORMAS DE SEGURIDAD

XStream SDC están fabricadas de acuerdo con las normas de seguridad nacionales e internacionales. Por su seguridad y para mantener la integridad del producto, le atentamente la siguiente información: **1)** Verifique que la tensión eléctrica indicada en la etiqueta de datos técnicos coincida con la de la red eléctrica local. El aparato tiene que ser conectado a un interruptor diferencial (cortacircuitos), cuya corriente sea inferior o igual a 30mA. **2)** La bomba puede utilizarse sólo sumergida en agua y no es apta para su uso en exteriores. La bomba no debe funcionar sin agua para evitar daños en el motor. **3)** Antes de poner en funcionamiento la bomba, compruebe que el cable y la bomba no están dañados. **4)** La bomba tiene una conexión tipo Z. El cable y el conector no pueden ser sustituidos o reparados. En caso de daños en alguno de ellos, sustituya toda la unidad. **5) ATENCIÓN:** siempre debe desconectar la bomba de la corriente antes de manipularla; si el enchufe o la toma de corriente están mojados, apague el interruptor principal antes de desconectar el cable de alimentación. **6)** La bomba no puede funcionar en seco o con líquidos a temperaturas superiores a 35° C / 95° F. **7)** Evite el uso de la bomba en líquidos corrosivos y abrasivos. **8)** No utilizar la bomba para aplicaciones diferentes para las que ha sido fabricada. Para cualquier otro uso, por favor, póngase en contacto con su distribuidor. **9)** Esta bomba no puede ser utilizada por personas con discapacidad ni por niños sin supervisión de una persona responsable de su seguridad. Mantenga el dispositivo fuera del alcance de los niños. **10)** Evite la proximidad con objetos afilados u otros imanes para evitar heridas accidentales, ya que los imanes atraen a objetos metálicos y a otros imanes con fuerza. **11)** Los imanes pueden provocar daños permanentes en aparatos electrónicos y en otros objetos sensibles al campo magnético, como marcapasos, tarjetas de crédito y llaves. Manténgalos siempre a una distancia mínima de 30 cm (12 pulgadas). **12)** Los imanes pueden perder parte o toda su energía de tracción si se exponen a una temperatura superior a 50° C (122° F). **13)** Al conectar la bomba a la toma de corriente, el punto más bajo del cable tiene que estar por debajo del la toma de corriente, con el fin de evitar que las gotas de agua presentes en el cable puedan entrar accidentalmente en el enchufe (*fig. 1*). **14)** Evite coger la bomba por el cable de alimentación durante su uso y su mantenimiento. **15)** No intente unir los dos imanes directamente porque su atracción es muy alta. Simplemente, sujételos por la parte exterior, teniendo cuidado de no interponer su mano o sus dedos entre las superficies de contacto.

COMPONENTES

[1] Goma anti-vibración [2] Imán de sujeción externo [3] Imán de sujeción interno [4] Soporte del eje + junta tórica [5] Cojinete de cerámica [6] Cuerpo de la bomba [7] Kit del rotor [8] Rejilla prefiltro [9] Controller electrónico [10] Cobertura antivibración del cable [11] AC/DC transformador (*fig. 2*).

INSTALACIÓN - USO Y REGULACIÓN

Para la instalación de la bomba XStream SDC proceda según se indica a continuación: **1)** Antes de poner en funcionamiento el producto compruebe todas las partes del mismo. **2)** Limpie el cristal del acuario donde colocará la bomba. **3)** Separe el 2 del 3 retirando el separador del imán (*fig. A1*). **4)** Coloque la goma anti-vibración 1 en el soporte magnético 3 (*fig. A2*). **5)** Sumerja completamente la bomba en el agua manteniéndola en posición vertical para liberar el aire atrapado en el rotor (*fig. A3*). **6)** Para evitar resonancias o vibraciones, no coloque la bomba en contacto con las superficies laterales. No coloque la bomba demasiado cerca de arena o grava en la parte inferior del acuario. **7)** Coloque la bomba en la ubicación deseada adheriendo el soporte 3 al cristal (*fig. A4*). **8)** Coloque suavemente el soporte magnético externo 2 sobre el cristal del acuario a una distancia aproximada de 10 cm (3.93 inches) del centro del soporte interno 3 (*fig. A5*) arrástrelo hasta notar la fuerza magnética opuesta y posicione el centro de los soportes 2 y 3 a la misma altura (*fig. A6*). **ATENCIÓN:** Imanes muy fuertes. Tenga cuidado al colocar la bomba en el acuario y hágalo según el modo aconsejado, de otro modo, podría romperse el cristal del acuario o bien provocarse lesiones en los dedos de la mano. **9)** Oriente la bomba dirigiendo el flujo hacia donde desee. **10)** Conecte el cable de la bomba al del controlador, teniendo cuidado de que se ajuste correctamente, y apriete la tuerca anular. **11)** Inserte el tipo de fuente de alimentación JACK, en el lado derecho del controlador (para evitar errores, no ingresa al de la derecha) (*fig. B*). **12)** Conéctelo a la corriente eléctrica. **13)** Consulte el párrafo PROGRAMACIÓN XStream SDC para el funcionamiento de la bomba.

CÓMO PROGRAMAR XStream SDC

Mantenga presionado el botón derecho (+) durante 3" para encender la bomba. Como prueba, todos los LED se iluminan durante unos segundos. La bomba comienza a funcionar al 50% del rango de operación presionando los botones (+) y (-) el flujo de la bomba puede aumentarse o disminuirse, la intensidad de la luz de los 5 LED variará. El símbolo de la bomba ilumina el conjunto de colores con la aplicación CONTRALL. El símbolo de Wi-Fi parpadeará en azul una vez que el controlador esté configurado y conectado a la red Wi-Fi a través de la aplicación CONTRALL. Si la bomba está controlada por CONTRALL, no será posible cambiar su funcionamiento a través del controlador. Solo se podrá apagar manteniendo presionado el botón derecho (+) durante 3".

CÓMO UTILIZAR EL CONTROLADOR

El controlador no puede sumergirse en agua y debe ser llevado cerca del tanque evitando caídas accidentales. Puede colocarse sobre una superficie, colgado en el armario o en el cristal del depósito utilizando la base suministrada (con tornillos o adhesivo de doble cara suministrado) (*fig. D*). Sugerimos dejar un bucle de goteo (*fig. 1*) en el controlador y en el cable de la bomba para evitar que el agua corra hacia abajo y llegue a la fuente de alimentación. Manipule el Controlador con las manos secas. El Controlador puede ser utilizado, regulando el flujo de la bomba, solo con XStream SDC hecho por SICCE y puede ser alimentado sólo por el adaptador AC/DC incluido. Cualquier otro uso podría dañar este dispositivo electrónico e invalidar la garantía.

BATERÍA DE RESERVA

Es posible conectar al controlador, en la entrada de la derecha, un pack de pilas (**NO SUMINISTRADAS***) que aseguran el funcionamiento de la bomba hasta 5 horas (duración variable en función de la capacidad de las pilas). Si decide equipar XStream SDC con este sistema de protección adicional, deberá conectar el pack de pilas (3 pilas de litio de 3,7 V modelo 18650) a la entrada correspondiente del controlador. Durante el funcionamiento normal, el pack de pilas se mantendrá cargado por el propio controlador y entrará en acción cuando se produzca un apagón temporal, lo que garantiza el funcionamiento del controlador y de la bomba durante el tiempo estimado. La bomba, independientemente del programa establecido, pasará al 50% de su potencia para aumentar su autonomía. Al mismo tiempo, si se han activado las alertas en el perfil de la App CONTRALL y el router conectado sigue funcionando, se notificará la falta de corriente eléctrica. Después de unos pocos minutos, el módulo Wi-Fi se apagará para prolongar la vida de las pilas. Cuando la vida de las pilas está a punto de agotarse, la bomba se apagará para evitar provocar daños. Cuando vuelva la corriente eléctrica, todo volverá a funcionar como antes.

***En la gama de accesorios SICCE se puede adquirir la caja de pilas específica con un cable de conexión para conectar al controlador. Las pilas (3 de litio de 3,7 V modelo 18650) deben comprarse por separado de su vendedor. Garantía del Controller: 2 años.**

MANTENIMIENTO

Para realizar el mantenimiento periódico de la bomba, desconéctela de la corriente eléctrica y sáquela del acuario. Limpiar regularmente la bomba, el rotor y su compartimiento. En el caso de agua con elevada dureza, sal o detritos, será necesario realizar la limpieza con más frecuencia. Retire la rejilla del prefiltro 8 de la bomba 6 presionando ligeramente a los lados y tirando de ella hacia abajo; gire la parte frontal hacia la izquierda y retire el rotor 7 (*fig. E1/E3*). Limpie cuidadosamente los componentes de la bomba con un cepillo suave en agua dulce (o agua con vinagre), y aclárelos bien antes de volver a colocar la bomba en el acuario. El desgaste del rotor puede producir un ligero ruido. Si tras la limpieza, la bomba continua haciendo ruido, le aconsejamos sustituir el rotor. El uso de otros productos de limpieza para limpiar la bomba, si no se enjuagan bien, podría producir alteraciones en los valores del agua. Después de la limpieza, vuelva a montar todos los componentes. Los productos SICCE están diseñados para una larga vida útil y un funcionamiento de calidad y fiable. Sin embargo con el tiempo, el desgaste de las piezas puede causar un poco de ruido, incluso después del mantenimiento regular. Hay piezas de recambio disponibles.

MANTENIMIENTO ADICIONAL

- 1) Desenchufe la bomba de la toma eléctrica antes de sacar la bomba del agua.
- 2) Gire la palanca hacia la izquierda hasta el final levantándola ligeramente para quitar los soportes magnéticos de la bomba (*fig. F1*). Tire para extraer los componentes 3 y 4 de la parte posterior de la bomba. Retire la precámara y el conjunto del rotor (*fig. E1-E3*) y, con la ayuda de una pluma, empuje desde la parte posterior hacia la parte delantera para extraer el casquillo 5 (*fig. F4*) prestando atención a su orientación para luego volver a - Insertar correctamente (*fig. F5*).
- 3) Limpie el cojinete de cerámica 5 con un cepillo suave para eliminar cualquier

residuo o incrustación de sal o material orgánico, teniendo cuidado de no retirarlo de la goma. Vuelva a colocar todo correctamente antes de volver a conectar la bomba a las tomas de corriente.

AYUDA ON-LINE

Vea nuestros videos tutoriales en el canal oficial de YOU TUBE de SICCE:
www.youtube.com/user/SICCEspa

INSTRUCCIONES PARA DESHACERSE DEL PRODUCTO DE ACUERDO CON LA DIRECTIVA EUROPEA 2002/96/EC

Si en un producto aparece el símbolo de un contenedor de basura tachado, significa que éste se acoge a la Directiva 2002/96/EC. Todos los aparatos eléctricos o electrónicos se deben desechar de forma distinta al servicio municipal de recogida de basuras, a través de los puntos de recogida designados por el gobierno o las autoridades locales. La correcta recogida y tratamiento de los dispositivos inservibles contribuye a evitar riesgos potenciales para el medio ambiente y la salud pública. Para obtener más información sobre cómo deshacerse de sus aparatos eléctricos y electrónicos viejos, póngase en contacto con su ayuntamiento, el servicio de recogida de basuras o el establecimiento donde adquirió el producto.

REGISTRACIÓN DEL PRODUCTO

Mediante el registro del producto en la sección "registro de producto" de la página web www.sicce.com, rellenando los datos requeridos, se activará la "garantía especial en línea" en el rotor del grupo durante 6 meses a partir de la fecha de compra, el recibo de la caja registradora validará el registro. En caso de no registrarse, la garantía se gestionará de la siguiente manera.

GARANTÍA

Este producto, excepto el rotor 7, está garantizado por un período de 3 años, a partir de la fecha de compra, contra defectos de materiales y fabricación. El certificado de garantía debe cumplimentarse debidamente por el vendedor, y se entregará junto a la bomba en caso de entregarla para ser reparada, junto con el recibo de la compra o equivalente. La garantía cubre la sustitución de las piezas defectuosas. En caso de uso impropio, manipulación indebida o negligencia por parte del comprador o del usuario, la garantía se anulará y perderá su validez inmediatamente. Asimismo, la garantía se anulará en el caso de que falte el recibo de compra o equivalente. Los gastos de envío, a y desde la fábrica, o el taller de reparaciones, correrán a cargo del comprador. **CÓMO OBTENER 5 AÑOS DE GARANTÍA EN SU PRODUCTO:** para mejorar nuestro servicio y la satisfacción de nuestros clientes, SICCE ofrece la posibilidad de añadir 2 años adicionales de garantía, registrando el producto en nuestra página web www.sicce.com "SICCE FOR YOU/Registro del Producto". Rellene el formulario y adjunte el recibo de compra del producto. Después de introducir correctamente todos sus datos, complete la solicitud de extensión de garantía.

Geachte klant, wij danken u voor uw keuze voor de XStream SDC-stromingspompen. Deze pomp vertegenwoordigt de nieuwste technologie van SICCE voor wat betreft aquaria producten die controleerbaar zijn met behulp van Wi-Fi technologie. Dankzij het feit dat het mogelijk is om op natuurlijke wijze de zeestromingen te simuleren in het aquarium op basis van vis- en koraalstof, is het ideaal voor gebruik in zee en rif aquaria. Door gratis de app CONTRALL (Afb. G) te downloaden, kunnen diverse programma's van de pomp worden geselecteerd of gepersonaliseerd op basis van de behoeften van het aquarium. De kracht van de stroming van de XStream SDC kan gereguleerd worden ook in afwezigheid van Wi-Fi met behulp van de verbonden controller. Het door u gekochte product is volledig ontworpen en geproduceerd in Italië, dit ter garantie van kwaliteit en controle van de gebruikte materialen.

ALGEMENE VEILIGHEIDSINSTRUCTIES

XStream SDC voldoet aan de nationale en internationale veiligheid normen. Lees aandachtig en bewaar de volgende instructies om de XStream SDC pomp op de beste manier te gebruiken. **1)** Controleer of de spanning die staat aangegeven op het technische etiket van de pomp overeenkomt met de spanning van de elektrische installatie; **2)** De pomp werkt alleen onder water; **3)** Controleer voordat u de pomp aansluit of de kabel en de pomp geen beschadigingen hebben; **4)** De pomp heeft een kabel van het type Z. De kabel en de stekker kunnen niet worden vervangen of gerepareerd; als één van beide beschadigd is, moet u de hele pomp vervangen; **5) LET OP:** haal de stekker van alle elektrische producten uit het stopcontact voordat u onderhoud gaat uitvoeren of uw handen in het water steekt; als de stekker of de kabel nat zijn, sluit de hoofdschakelaar dan af voordat u de stekker uit het stopcontact haalt; **6)** De pomp mag niet worden gebruikt in vloeistoffen of in een omgeving met een temperatuur hoger dan 35° C; **7)** Gebruik de pomp niet met corrosieve of schurende vloeistoffen; **8)** Gebruik de pomp niet voor andere doeleinden dan waarvoor de pomp is ontworpen, in badkuipen of dergelijke toepassingen; **9)** De pomp is niet ontworpen voor gebruik door gehandicapten of kinderen, buiten hun gebruik houden of het gebruik alleen toestaan onder toezicht; **10)** Leg het snoer onder het stopcontact in een lus om te voorkomen dat er druppels op het contact of de stekker vallen; **11)** De magneten kunnen permanente schade veroorzaken aan elektronische apparaten en voorwerpen die gevoelig zijn voor magnetische velden, zoals pacemakers, creditcards en sleutels: daarom altijd minstens 30 cm (12 inch) afstand houden; **12)** De magneten kunnen gedeeltelijk of geheel hun kracht verliezen indien deze blootgesteld zijn aan temperaturen boven 50° C (122° F); **13)** Om te voorkomen dat de stekker of het stopcontact nat worden kan er een lus in de kabel gemaakt worden onder het water niveau (Afb. 1); **14)** Trek niet aan de kabel van de pomp tijdens de installatie of het onderhoud; **15)** Probeer niet de 2 magneten buiten het water te bevestigen, omdat de magnetische aantrekkingskracht zeer hoog is loop je het risico om er met uw handen of vingers tussen te komen.

ONDERDELEN

[1] Trillingsdempend rubber [2] Externe magnetische steun [3] Interne magnetische steun [4] Steunas + o-ring scharniersteun [5] Keramische as [6] Pomplichaam [7] Rotorgroep [8] Raster voorfilter [9] Elektronische Controller [10] Kabelbeschermingsbuis van siliconen [11] AC/DC transformator (Afb. 2).

INSTALLATIE - GEBRUIK EN INSTELLING

De XStream SDC moet als volgt geïnstalleerd worden: **1)** Controleer, voordat u het product in gebruik neemt eerst of alle onderdelen onbeschadigd zijn. **2)** Maak het aquarium glas schoon waar u de pomp gaat bevestigen. **3)** Disconect de 2 magneet houders van elkaar (Afb. A1). **4)** Plaats de magneethouder afdekking 1 over de magneethouder 3 (Afb. A2). **5)** Dompel de pomp volledig onder water in verticale positie om de lucht te laten ontsnappen die aanwezig is in de rotor (Afb. A3). **6)** Om resonantie en trillingen te voorkomen en ook wanneer de pomp door externe apparatuur gecontroleerd zal worden dient u. **7)** Plaats de pomp in de gewenste positie met magneet houder 3 adherent aan het glas (Afb. A4). **8)** Bevestig de externe magneet houder 2 aan het aquarium ongeveer 10 cm (3,93 inches) van de interne magneet houder 3 (Afb. A5). Sleep daarna de externe magneet houder in de richting van de interne magneet houder totdat u het gevoel heeft van de tegengestelde magnetische kracht. Plaats daarna de interne en externe magneet houder 2 en 3 op dezelfde hoogte (Afb. A6). **LET OP:** Zeer sterke magneten. Wees voorzichtig met het bevestigen van de pomp aan het aquarium. Let op voor uw handen en vingers. **9)** Draai de pomp in de gewenste stroomrichting. **10)** Verbind de kabel van de pomp aan die van de controller, let op dat deze de juiste richting opgaat, en draai de bevestigingsring aan. **11)** De JACK van de stroomvoorziening op de aansluiting links van de controller aansluiten. De rechter is nodig voor de reservebatterijen (optioneel) (Afb. B). **12)** Steek de stekker in het stopcontact. **13)** Zie paragraaf PROGRAMMERING XStream SDC voor de werking van de pomp.

XStream SDC DE ELEKTRONISCHE VERSIE

Houd de rechertoets (+) 3" ingedrukt om de pomp in te schakelen (Afb. C). Als test, zullen alle leds een aantal seconden gaan branden. De pomp start op 50% van de werkingsrange. Door te drukken op de toetsen (+) en (-) kan de stroming van de pomp worden verhoogd of verlaagd. De intensiteit van de 5 leds zal overeenkomstig variëren. Het symbool van de pomp zal gaan branden in de kleur die ingesteld werd via de app CONTRALL. Het Wi-Fi-symbool zal blauw knipperen wanneer de controller ingesteld is en aan het Wi-Fi-netwerk gekoppeld is via de app CONTRALL. Indien de pomp via CONTRALL beheerd is, zal het niet mogelijk zijn om de werking hiervan te wijzigen via de controller. Het zal uitsluitend mogelijk zijn deze uit te schakelen door 3" te drukken op de rechternop (+).

HOE GEBRUIK IK DE CONTROLLER

De Controller mag niet ondergedompeld worden en moet op een droge en veilige plek bewaard worden, waar deze niet geraakt kan worden door mogelijke waterspatten. De Controller kan neergelegd worden, opgehangen aan de kast of aan het glas van de tank met behulp van de bijgeleverde houder (met schroeven of tweezijdig plakband) (Afb. D). Het wordt aangeraden een lus in de kabels aan te brengen (drip loop - afb. 1) om te vermijden dat het water langs de kabel de Controller zou kunnen bereiken. Bedien de Controller uitsluitend met droge handen. De Controller kan uitsluitend de pompen XStream SDC bedienen en de stroming hiervan regelen, en kan uitsluitend gevoerd worden door de bijgeleverde transformator. Ieder ander gebruik kan op onherstelbare wijze het apparaat beschadigen en de garantie doen vervallen.

RESERVEBATTERIJ

Het is mogelijk om, aan de aansluiting aan de rechterkant van de controller, een batterijpak (**NIEUW BIJGELEVERD***) te verbinden die werking van de pomp tot 5 uur garandeert (duur afhankelijk van de capaciteit van de batterijen) ook in geval van black-out. Indien er besloten wordt om dit laatstgenoemde beschermingssysteem aan te sluiten op de XStream SDC, moet een batterijpak (3 lithiumbatterijen van 3.7V model 18650) worden worden aan de daarvoor bestemde aansluiting van de controller (**Afb. B**). Tijdens de normale werking, zal het batterijpak geladen blijven door de controller zelf en uitsluitend in werking treden wanneer er een tijdelijke stroomstoring is, waardoor de controller en de pomp voor de geschatte tijd blijven werken. De pomp zal, onafhankelijk van de ingestelde programma's, op 50% van het vermogen draaien om de autonomie te vergroten. Tegelijkertijd zal, indien de meldingen ingesteld zijn in het profiel van de CONTRALL App en de aangesloten router nog steeds functioneert, het ontbreken van de stroom van het stroomnet bericht worden. Na een aantal minuten zal de Wi-Fi-module uitschakelen om de duur van de batterijen te verlengen. Wanneer de batterijen bijna leeg zijn, zal de pomp uitschakelen om te voorkomen dat deze schade oploopt. Bij terugkeer van de stroom, zal alles weer verdergaan zoals daarvoor.

***In het assortiment van accessoires van SICCE is het mogelijk de specifieke batterijhouder met verbindingskabel voor de controller te kopen. De batterijen (3 lithiumbatterijen van 3.7 V model 18650) moeten apart gekocht worden bij een betrouwbare verkoper.**

Controller GARANTIE: 2 jaren.

ONDERHOUD

Om de periodieke normale onderhoudswerkzaamheden uit te voeren aan de pomp is het nodig om als eerste de stekker uit het stopcontact te halen en vervolgens de pomp uit het water te halen. Zorg ervoor dat het pomplichaam en de rotor regelmatig en grondig worden gereinigd. Indien het water bijzonder kalkhoudend is, met zout en/of veel residu, wordt het aangeraden deze vaker te reinigen, als volgt: Verwijder het raster 8 van het pomplichaam 6 door op de zijanten te drukken en deze omlaag te trekken. Draai de schijf van de rotorgroep 7 tegen de klok in en haal de rotor eruit (**Afb. E1-E3**). Reinig alle onderdelen en hun houders grondig met stromend water. Gebruik geen harde voorwerpen om eventuele aangroeiing te verwijderen maar een zachte borstel met azijn. Het gebruik van andere reinigingsmiddelen voor het reinigen van de pomp, indien niet goed afgespoeld, zou de normale waarden van het water kunnen wijzigen. Na reiniging, assembleren door de handelingen omgekeerd uit te voeren. Onze producten zijn ontworpen om lang mee te gaan, hoe dan ook zou slijtage over de loop der tijd van de rotorgroep kunnen leiden tot een klein beetje geluid ook na normale onderhoudswerkzaamheden. In dit geval wordt het aangeraden dit onderdeel 7 te vervangen, wat in verkooppunten te krijgen is als reserveonderdeel.

EXTRA ONDERHOUD

1) Koppel de stekker los van de stroomtoevoer en haal de pomp uit het water.
2) Til het staafje (**Afb. F1**) lichtjes op en draai deze 90° tegen de klok in (**Afb. F2**). Trekken om van de achterkant van de pomp de componenten 3 en 4 (**Afb. F3**) te verwijderen. Verwijder de voorkamer en de rotorgroep (**Afb. E1-E3**) en met behulp van een pen vanaf de achterkant naar voren duwen om de as 5 (**Afb. F4**) eruit te

halen en kijk goed in welke richting deze staat alvorens deze weer juist ingevoerd wordt (**Afb. F5**). **3)** Maak de keramische as 5 schoon met een zachte borstel om eventuele residuen of aangroeiingen van zout of organisch materiaal te verwijderen en let op dat deze niet verwijderd wordt van het rubberje. Plaats alles weer op juiste wijze terug voordat de pomp weer op de stroom wordt aangesloten.

ONLINE HULP

Bekijk onze instructievideo's op het SICCE YOU TUBE officiële kanaal www.youtube.com/user/SICCEspa

AANWIJZINGEN VOOR EEN JUISTE AFVOER VAN HET PRODUCT VOLGENS DE EUROPESE RICHTLIJN 2002/96/EG

Aan het einde van zijn bruikbaarheidsduur, mag het product niet samen met het gemeentelijk afval worden afgevoerd. Het kan worden afgegeven bij de speciale gemeentelijke centra voor gescheiden afvalinzameling of bij verkopers die deze service aanbieden. Door huishoudelijke apparaten gescheiden te verwerken, kunnen mogelijk negatieve gevolgen voor het milieu en de gezondheid door een onjuiste verwerking worden vermeden en kunnen de materialen waaruit het bestaat worden teruggewonnen voor een aanzienlijke besparing van energie en bronnen.

PRODUCT REGISTRATIE

Door het product online te registreren in de sectie "registreer het product" op de website van www.sicce.com en de gevraagde informatie in te vullen, zal de garantie "special online warranty" van 6 maanden vanaf datum van aankoop geactiveerd worden, aantoonbaar door het bonnetje, op de rotorgroep. Indien het product niet geregistreerd wordt, zal de garantie als volgt zijn.

GARANTIE

Dit product, met uitzondering van de rotor 7, is gegarandeerd voor een periode van 3 jaren vanaf de datum van aankoop tegen gebreken van het materiaal en van de bewerking. Het certificaat van garantie dient in elke gedeelte van het formulier door voor reparatie teruggegeven wordt tezamen met de fiscale bon van aankoop of een gelijkwaardig document. De garantie betreft de vervanging van de gebrekkige delen. In geval van een verkeerd gebruik, openbreking of nalatigheid van de koper of van de gebruiker is de garantie nietig en vervalt onmiddellijk. De garantie is tevens nietig in geval van ontbreking van de fiscale bon van aankoop of van een gelijkwaardig document. De kosten van verzending en terugzendend komen ten laste van de koper. **ONTDEK HOE JE 5 JAAR GARANTIE KUNT KRIJGEN OP HET PRODUCT** Om onze dienstverlening en de tevredenheid van onze klanten te verbeteren, biedt SICCE de mogelijkheid om de Garantie periode te verlengen met 2 jaren. U hoeft simpelweg alleen uw product te registreren op onze website www.sicce.com in "Sicce for you / Productregistratie". Vul het formulier in en upload de aankoopbon van het product. Na het correct invullen van al uw gegevens, moet u het garantie-uitbreiding verzoek indienen.

Estimado Cliente, obrigado por ter escolhido as bombas de movimento XStream SDC. Esta bomba representa a última novidade da SICCE na categoria de produtos para aquário geríveis com tecnologia Wi-Fi. É ideal para a utilização em aquários marinhos e de barreira, pois permite recriar de forma natural as correntes marinhas com base no tipo de peixes e corais que populam o aquário. Descarregando gratuitamente a app CONTRALL ([fig. G](#)), poderão ser selecionadas diversas modalidades de funcionamento da bomba ou personalizar o funcionamento com base nas características do aquário. A potência do fluxo de XStream SDC poderá ser regulada também na ausência de Wi-Fi, utilizando o controlador ligado. O produto que adquiriu foi inteiramente projetado e produzido em Itália com garantia de qualidade e controlo dos materiais usados.

INSTRUÇÕES GERAIS DE SEGURANÇA

XStream SDC están em conformidade com as leis de segurança nacionais e internacionais. Por favor, leia cuidadosamente e guarde as seguintes instruções para usar sua XStream SDC da melhor maneira. **1)** Verifique se a tensão do rótulo da bomba corresponde com a da rede de energia. A bomba deve ser provida de um interruptor diferencial (protetor) através do qual a corrente nominal seja igual ou inferior a 30mA. **2)** A bomba só pode trabalhar dentro da água e é somente para uso interno. Não deverá ser posta fora de água, pois, causará danos irreparáveis no motor. **3)** Antes de ligar a bomba à rede elétrica, certifique-se que o cabo ou a bomba não estão danificados. **4)** A bomba tem uma ligação do Tipo Z. O cabo ou o plugue não podem ser reparados ou substituídos. Em caso de avaria, substitua a bomba por completo. **5) ATENÇÃO:** Desligue todos os componentes elétricos que estejam imersos antes de fazer qualquer manutenção em qualquer aparelho que esteja dentro do aquário, ou antes de mergulhar as mãos na água por qualquer razão; no caso do plugue ficar molhado, desligue a rede elétrica antes de tocar no cabo. **6)** A bomba só pode ser utilizada em líquidos (água doce ou salgada) e em ambientes com temperaturas que não sejam superiores a 35° C / 95° F. **7)** Evite utilizar a bomba com líquidos corrosivos ou abrasivos. **8)** Não utilize a bomba para aplicações para as quais não foi projetada. **9)** Crianças ou pessoas portadoras de deficiências devem ser supervisionados por alguém responsável pela sua segurança quando da utilização desta bomba. **10)** Evite aproximação com lâminas, objetos pontiagudos ou magnéticos para evitar acidentes, pois os magnetos do suporte atraem objetos de metal e outros magnetos com bastante força. **11)** Os magnetos podem provocar danos permanentes em equipamentos eletrônicos e a outros objetos que sejam sensíveis a campos magnéticos como marca-passos, cartões de crédito e chaves: mantenha-os a pelo menos 30 cm de distância. **12)** Os magnetos podem perder parcial ou totalmente o seu poder de atração se expostos a temperaturas maiores do que 50° C. **13)** Para evitar que gotas de água cheguem acidentalmente até o plugue, faça uma volta no cabo abaixo do nível da tomada ([fig. 1](#)). **14)** Evite pegar na bomba pelo cabo. **15)** Não tente combinar os dois ímãs diretamente porque a atração é muito forte. Pegar pelos lados, certificando-se que não vai entalar os dedos.

COMPONENTES

[1] Revestimento antivibrações [2] Suporte magnético externo [3] Suporte magnético interno [4] Suporte do eixo + guarnição anel em o dobradiça de suporte [5] Casquilho cerâmico [6] Corpo bomba [7] Grupo rotor [8] Grelha pré-filtro [9] Controlador eletrônico [10] Tubo protege-cabos em silicone [11] CA/CC transformador ([fig. 2](#)).

INSTALAÇÃO – FUNCIONAMENTO E REGULAÇÃO

Proceda como descrito em seguida para instalar a bomba XStream SDC: **1)** Antes de colocar os equipamentos em funcionamento certifique-se da integridade de todas as peças. **2)** Limpar o vidro do tanque vai ser posicionado na região onde a bomba. **3)** Retirar 2 a partir de 3 por remoção dos separadores de magnetos ([fig. A1](#)). **4)** Coloque a caixa de borracha anti vibração 1 no suporte magnético 3 ([fig. A2](#)). **5)** Immergir a bomba completamente na água, em posição vertical, para garantir que o ar sai do assento do rotor ([fig. A3](#)). **6)** Para evitar ressonância e vibração, evite colocar a bomba em contato com as superfícies laterais ou no fundo do aquário para evitar que areia ou cascalho do aquário sejam sugados pela bomba. **7)** Coloque a bomba na sede desejada com o suporte magnético interno 3 e o revestimento antivibrações 1 aderentes ao vidro ([fig. A4](#)). **8)** Coloque o suporte magnético exterior 2 na superfície do vidro a uma distância de cerca de 10 cm em relação ao centro do suporte magnético interno 3 ([fig. A5](#)). Arraste-o com atenção até sentir a força magnética oposta e coloque 2 e 3 em eixo ([fig. A6](#)). **ATENÇÃO:** Dada a forte força de atração dos ímãs, tal operação deverá ser realizada de forma aconselhada. **9)** Orientar a bomba de forma que o fluxo seja direcionado para onde pretendido. **10)** Conecte o cabo da bomba ao do controlador, tomando o cuidado de encaixá-lo corretamente, e aperte a porca do anel. **11)** Insira o JACK do alimentador na tomada esquerda do controlador. A da direita serve para as pilhas de reserva (opcional) ([fig. B](#)). **12)** Ligue a bomba à rede elétrica. **13)** Veja o parágrafo de PROGRAMAÇÃO XStream SDC para operação da bomba.

COMO INSTALAR A XStream SDC

Mantenha premida a tecla à direita (+) durante 3" para ligar a bomba ([fig. C](#)). Como teste, todos os LED iluminam-se durante alguns segundos. A bomba arranca a 50% do intervalo de funcionamento. Premindo em impulsos as teclas (+) e (-), é possível aumentar ou diminuir o fluxo da bomba. Consequentemente, variará a intensidade luminosa dos 5 LED. O símbolo da bomba iluminar-se-á com a cor configurada através da app CONTRALL. O símbolo do Wi-Fi piscará a azul uma vez que o controlador tenha sido configurado e associado à rede Wi-Fi através da app CONTRALL. Se a bomba for gerida mediante o CONTRALL, não será possível modificar o funcionamento usando o controlador. Apenas será possível desligá-la mantendo premida a tecla à direita (+) durante 3".

INDICAZIONI D'USO CONTROLLER XStream SDC

O Controlador não é submersível e deve ser mantido num local seco e protegido dos salpicos acidentais. O Controlador pode ser apoiado no plano, apenas no móvel ou no vidro do tanque através da base incluída (com parafusos ou biadesivo) ([fig. D](#)). É aconselhável efetuar uma ansa nos cabos (drip loop - [fig. 1](#)) de forma a evitar que a água possa correr ao longo do cabo e atingir o Controlador. Comande o Controlador apenas com as mãos secas. O Controlador pode pilotar apenas as bombas XStream SDC regulando o fluxo, e pode ser alimentado apenas com o transformador incluído. Qualquer outra utilização poderá danificar de forma irreparável o dispositivo e fazer invalidar a garantia.

BATERIA DI BACK UP

É possível ligar ao controlador, na tomada à direita, um conjunto de pilhas (NÃO INCLUIDAS*) que garante o funcionamento da bomba até 5 horas (duração variável em função da capacidade das pilhas) inclusive em caso de black out. Se decidir dotar o XStream SDC deste sistema de proteção adicional, é necessário ligar o conjunto de pilhas (3 pilhas de lítio de 3,7 V modelo 18650) à correspondente tomada do controlador (*fig. B*). Durante o funcionamento normal, o conjunto de pilhas será mantido carregado pelo próprio controlador e entrará em ação quando se verificar uma falta de alimentação temporária de corrente, garantindo o funcionamento do controlador e da bomba durante o tempo estimado. A bomba, independentemente dos programas configurados, arrancará a 50% da potência, para aumentar a sua autonomia. No mesmo momento, ativam-se os alertas no perfil da app CONTRALL e o router ligado continua a funcionar, será notificada a ausência de alimentação de corrente. Após alguns minutos, o módulo Wi-Fi desliga-se para prolongar a duração das pilhas. Quando a autonomia das pilhas estiver próxima de se esgotar, a bomba desliga-se para evitar danos nas mesmas. Ao restabelecer a corrente elétrica, tudo retomará como antes.

***Na gama de acessórios da SICCE, poderá adquirir o recipiente específico das pilhas dotado de cabo de ligação ao controlador. As pilhas (nº 3 de lítio de 3,7V modelo 18650) são adquiridas à parte ao seu revendedor de confiança. GARANTIA Controlador: 2 anos.**

MANUTENZIONE PERIODICA ORDINARIA

Para efetuar a manutenção periódica ordinária da bomba, é necessário antes de mais retirar a ficha da tomada de corrente e, em seguida, extrair completamente a bomba da água. Limpe regularmente e com cuidado o corpo da bomba e o rotor. Em caso de água muito calcária, com sal e/ou com muitos resíduos, aconselha-se uma limpeza mais frequente procedendo do seguinte modo: retire a grelha 8 do corpo da bomba 6, aplicando uma leve pressão nas laterais e removendo por baixo. Rode o disco do grupo rotor 7 no sentido anti-horário e extraia o rotor (*fig. E1-E3*). Limpe cuidadosamente todas as peças e as suas sedes com água corrente. Não use objetos duros para retirar eventuais incrustações mas antes uma escova macia com vinagre. A utilização de outros produtos detergentes para a limpeza da bomba, se não enxaguados com cuidado, poderá alterar os valores normais da água. Após a limpeza, monte tudo pela ordem inversa. Os nossos produtos foram projetados para uma longa duração; contudo, o desgaste com o tempo do grupo do rotor poderá produzir um leve ruído também após as operações de manutenção ordinárias. Neste caso, aconselha-se à simples substituição deste componente 7, disponível nos pontos de venda como peça de reposição.

MANUTENZIONE STRAORDINARIA

1) Retire a ficha da tomada de corrente e, em seguida, extraia completamente a bomba da água. **2)** Eleve ligeiramente a alavanca (*fig. F1*) e rode-a a 90° em sentido anti-horário (*fig. F2*). Puxe para extrair da traseira da bomba os componentes 3 e 4 (*fig. F3*). Remova a pré-câmara e o grupo rotor (*fig. E1-E3*) e, com o auxílio de uma caneta, empurre de trás para a frente, para extrair o casquilho 5 (*fig. F4*), prestando atenção à sua orientação para depois o poder reinserir corretamente (*fig. F5*).

3) Limpe o casquilho cerâmico 5 com uma escova macia para retirar eventuais resíduos ou incrustações de sal ou material orgânico, prestando atenção para não o remover da borracha. Reposicione tudo corretamente antes de religar a bomba à tomada de corrente.

ASSISTÊNCIA

Sugerimos que veja nossos tutoriais em vídeo para apoiar a instalação e manutenção de produtos, disponível no canal oficial

www.youtube.com/user/SICCEspa

PRECAUÇÕES PARA DESCARTE CORRETO DO PRODUTÓ NOS TERMOS DA DIRECTIVA CE 2002/96/CE.

Se usada ou quebrada, esta bomba não pode ser descartada como lixo comum. Verifique a legislação vigente e procure centros apropriados para descartar a bomba, ou devolva-a ao revendedor. Descarte separadamente qualquer componente elétrico para não causar danos ao ambiente. Procure centros de reciclagem desse tipo de material.

REGISTRO DE PRODUTOS

Registando o produto online na respetiva secção “registar o produto” no website www.sicce.com e preenchendo os dados requeridos, ativar-se-á a garantia “special online warranty” de 6 meses após a data de aquisição, comprovada pelo recibo de compra, no grupo rotor. Na ausência de registo do produto, a garantia será gerida conforme se segue.

GARANTIA

Este produto é totalmente coberto pela lei do consumidor vigente. A garantia do produto só será cumprida pelo revendedor ou importador no caso de apresentação de nota fiscal comprobatória da compra que prove que o material comprado está no prazo de garantia de 3 anos da data da compra. O rotor da bomba 7 não possui garantia. Este produto é totalmente coberto pela lei do consumidor vigente. **DESCUBRA COM OBTER 5 ANOS DE GARANTIA NO SEU PRODUTO:** Para melhorar o nosso serviço e aumentar a satisfação dos nossos clientes, a SICCE oferece a possibilidade de aplicar 2 anos extra de garantia, registando o produto na nossa página Web www.sicce.com em “Quality Control Department”. Preencha o formulário em todas as suas partes e envie eletronicamente o comprovante de compra do produto.

Уважаемые покупатели! Благодарим вас за выбор SICCE XStream SDC. Помпа течения SICCE XStream SDC - новейшее пополнение в семействе аквариумных устройств SICCE, связанных между собой через Wi-Fi соединение. Он идеален для использования в морских аквариумах при создании потока воды, наиболее приближенного к натуральному. При бесплатной установке приложения ContrALL потребитель может выбрать между несколькими предустановленными программами, создать программу по собственному усмотрению или расписание, которое бы подходило потребностям его аквариума. В качестве альтернативы контроля через приложение, расход воды насосом SICCE XStream SDC может быть изменен напрямую при помощи контроллера. SICCE XStream SDC был спроектирован и создан в Италии в соответствии с высокими стандартами качества, распространяющимися на компоненты и все производство.

ВАЖНАЯ ИНФОРМАЦИЯ ПО БЕЗОПАСНОСТИ ВНИМАТЕЛЬНО ИЗУЧИТЕ И СЛЕДУЙТЕ ВСЕМ РЕКОМЕНДАЦИЯМ ПО БЕЗОПАСНОСТИ

Помпа течения XStream SDC создана в соответствии со всеми национальными и международными правилами безопасности. **1)** Перед установкой или любыми ремонтно-эксплуатационными работами обязательно отключите насос от электросети. Подключать насос к сети можно только через устройство защитного отключения (УЗО) с рабочей силой тока, не превышающей 30мА. **2)** Насос предназначен для использования исключительно в закрытых помещениях и не может устанавливаться на открытых пространствах. **3)** Перед подключением насоса к электросети проверьте, нет ли каких-либо повреждений шнура, штепселя и розетки. **4)** В насосе используется кабельное соединение типа Z. Ни в коем случае не меняйте и не ремонтируйте шнур и штепсель: в случае их повреждения замените насос. **5) ПРЕДУПРЕЖДЕНИЕ:** Ни в коем случае не используйте устройство, если у него поврежден провод или штепсельная вилка, а также при его неправильной работе и каких-либо повреждениях. **6)** Ни в коем случае не включайте насос при отсутствии воды в камере крыльчатка насоса либо если температура жидкости превышает 95° F/35° C. **7)** Не используйте насос с агрессивными и абразивными жидкостями. **8)** Не используйте насос в непредназначенных для этого местах (в ванной и т.п.). **9)** Не позволяйте пользоваться насосом людям с ограниченными возможностями и детям без присмотра лиц, ответственных за их безопасность. **10)** Во избежание повреждений не размещайте вблизи насоса лезвия, острые предметы и магниты, поскольку магниты основания насоса с большой силой притягивают металлические предметы и другие магниты. **11)** Магниты могут привести к значительным повреждениям электронных приборов и других предметов, чувствительных к магнитному полю, таких как кардиостимуляторы, кредитные карточки и ключи. Держите их не ближе 30 см от насоса. **12)** Магниты могут полностью или частично утратить силу притяжения при температуре выше 50° C (122° F). **13)** Всегда оставляйте на шнуре каплеуловительную кабельную петлю во избежание стекания конденсата или воды по кабелю к источнику питания (*рис. 1*). **14)** Ни в коем случае не тяните насос за шнур во время установки или ремонтно-эксплуатационных работ. **15)** Не пытайтесь присоединить сразу 2 магнитных держателя, поскольку сила притяжения между ними очень высока. Крепите их исключительно с внешних сторон, не забывая поставить между ними руку и пальцы.

КОМПЛЕКТАЦИЯ

[1] Виброзащитный резиновый корпус [2] Наружный магнитный держатель [3] Внутренний магнитный держатель [4] Держатель вала + Уплотнительное кольцо [5] Крышка насоса [6] Корпус насоса [7] Комплект ротора [8] Решетка входного фильтра [9] Электронный мини-контроллер [10] Виброзащитное силиконовое покрытие шнура [11] Адаптер источника электроснабжения (*рис. 2*).

УСТАНОВКА

Для установки насоса XStream SDC: **1)** Проверьте насос на наличие повреждений и дефектов. **2)** Перед установкой насоса тщательно очистите стекло аквариума. **3)** Отсоедините 2 от 3, удалив существующий разделитель. (*рис. A1*). **4)** Установите виброзащитный резиновый корпус 1 на магнитный держатель 3 (*рис. A2*). **5)** Полностью погрузите насос в воду, удерживая его в вертикальном положении, чтобы из ротора вышел попавший в него воздух. (*рис. A3*). **6)** Не допускайте прямого контакта насоса с боковыми поверхностями во избежание резонанса и излишней вибрации. Не размещайте насос слишком близко к песку и гравию на дне аквариума. **7)** При помощи держателя 3 и анти-вибрационного резинового корпуса 1 закрепите насос на стекле в необходимом положении (*рис. A4*). **8)** Прикрепите магнитную опору 2 к аквариуму на расстоянии 10 см от центра внутренней опоры 3 (*рис. A5*). Потяните ее и перемещайте до тех пор, пока не почувствуете противоположное магнитное притяжение. Разместите центры опор 2 и 3 на одной и той же оси. (*рис. A6*). **ВНИМАНИЕ:** Мощные магниты. Крепите насос к аквариуму очень осторожно. Осторожно, не прищипите пальцы рук. **9)** Поверните насос таким образом, чтобы получить желаемое направление потока воды. **10)** Подсоедините кабель насоса к кабелю контроллера, следя за тем, чтобы он соответствовал правильно, и затяните кольцевую гайку. **11)** Подсоедините блок питания в левый разъем контроллера. (во избежание ошибок, Вы не сможете его подсоединить к правому разьему). Правый разъем необходим для подключения блока аккумуляторных батарей (не входит в комплект, *рис. B*) **12)** Подключите насос к электросети. **13)** См. Параграф «Программирование XStream SDC» для работы насоса.

НАСТРОЙКА НАСОСА XStream SDC

Нажмите и удерживайте кнопку справа (+) в течение 3 секунд, чтобы включить насос. В качестве теста все светодиоды загоряются на несколько секунд. Насос запускается на 50% от рабочего диапазона и нажатием (+) или (-) поток насоса может быть увеличен или уменьшен, интенсивность света 5 светодиодов будет меняться. Символ насоса освещается цветом, установленным с помощью приложения CONTRALL. Символ Wi-Fi будет мигать синим цветом после настройки контроллера и подключен к сети Wi-Fi с помощью приложения CONTRALL. Если насос управляется с помощью CONTRALL, невозможно будет изменить его работу с помощью контроллера. Отключить его можно будет только удерживая кнопку справа (+) в течение 3 секунд.

ИСПОЛЬЗОВАНИЕ КОНТРОЛЛЕРА

Мини-контроллер нельзя погружать в воду. Его необходимо размещать близко к аквариуму и принять меры безопасности, чтобы не допускать его падения на пол. Контроллер может быть размещен на поверхности, подвешен на корпусе или на стекле резервуара с помощью прилагаемого основания (с помощью винтов или двустороннего клея в комплекте) (*рис. D*). Рекомендуем оставить каплеуловительную

EN

петлю на шнурах мини-контроллера и насоса во избежание стекания воды и ее попадания на источник электроэнергии. Устанавливайте мини-контроллер сухими руками. Мини-контроллер можно использовать исключительно с насосами XStream SDC производства SICCE и подключать исключительно через адаптер питания, поставляемого в комплекте. Нарушение этих правил использования может привести к повреждению электронного прибора и отмене гарантийных обязательств.

IT

DE

АККУМУЛЯТОРНАЯ БАТАРЕЯ

Контроллер можно подключить к питанию через гнездо справа с помощью аккумуляторных батарей (**не входят в комплект**), которые позволят насосу работать до 5 часов (длительность зависит от емкости батарей). Если Вы решите оснастить насос XStream SDC дополнительной системой защиты, необходимо подключить аккумуляторные батареи (3 литиевые батареи 3.7V модель 18650) в соответствующее гнездо контроллера. Во время обычного использования насоса, аккумуляторные батареи будут заряжаться от контроллера и начнут работать только при временном перебое с электричеством, гарантируя продолжение работы контроллера и насоса в течение ожидаемого времени работы батарей. Насос, независимо от установленных программ, перейдет в режим 50% экономии потребления энергии. В то же самое время, если сигнал тревоги будет активирован в профиле приложения ContAll, и подключенный роутер все еще будет функционировать, недостаток электроэнергии будет отмечен. Через несколько минут wi-fi модуль выключится, чтобы продлить работу батарей. Когда емкость батарей будет подходить к концу, насос выключится, чтобы предотвратить причинение им ущерба. При восстановлении электропитания работа всех устройств вернется к изначальной стадии.

FR

ES

NL

PT

RU

***Среди аксессуаров Сиччи Вы можете найти специальный контейнер для батарей с соединительным кабелем для подключения контроллера. Батареи (3 литиевые батареи 3.7V модель 18650) необходимо купить отдельно. ГАРАНТИЙНЫЕ ОБЯЗАТЕЛЬСТВА НА КОНТРОЛЛЕР: 2 года.**

CN

РЕГУЛЯРНЫЙ УХОД

Для чистки или других работ по уходу за насосом отключите его от электросети, вынув штепсель из розетки, и выньте насос из аквариума. Регулярно чистите насос и ротор. При известковых отложениях или наличии твердых частиц может потребоваться более частая и тщательная чистка. Выньте решетку входного фильтра 8 из насоса 6, слегка нажав с боков и потянув решетку вниз. Поверните переднюю часть против часовой стрелки и снимите ротор 7 (*рис. F1-E3*). Тщательно почистите все детали насоса мягкой щеткой в чистой воде или мягкой салфеткой с мылом или уксусом. Перед повторной установкой насоса в аквариум тщательно промойте все части водой. После чистки соберите все части насоса. Вся продукция SICCE долговечна и надежна в работе. Тем не менее, с течением времени износ частей может вызвать незначительный шум даже при регулярном уходе. Для замены можно приобрести запчасть.

ДОПОЛНИТЕЛЬНЫЙ УХОД

1) Отключите насос от электропитания, вынув штепсель из розетки, затем выньте насос из аквариума. 2) Поверните рычаг (*рис. F1*) против часовой стрелки до упора (*рис. F2*), потяните, чтобы вынуть детали 3 и 4 (*рис. F3*) с обратной стороны насоса. Выньте решетку входного фильтра и ротор (*рис. F1-E3*). С помощью шариковой ручки

44

EN

IT

DE

FR

ES

NL

PT

RU

CN

протолкните назад в направлении передней панели, чтобы вытащить керамический подшипник 5 (*рис. F4*). Запомните его положение, чтобы правильно его заменить (*рис. F5*). 3) Почистите керамический подшипник мягкой щеткой, чтобы удалить отходы, соляные отложения или органические загрязнения, стараясь не сдвинуть его с резиновой прокладки. Соберите все части в правильном порядке перед подключением насоса к электророзетке.

ОНЛАЙН-СПРАВКА

Смотрите обучающие видеоролики на официальном канале THE SICCE YOUTUBE www.youtube.com/user/SICCEspa

ИНСТРУКЦИИ ПО ПРАВИЛЬНОЙ УТИЛИЗАЦИИ ПРОДУКЦИИ В СООТВЕТСТВИИ С ДИРЕКТИВОЙ ЕС 2002/96/ЕС

Нельзя утилизировать использованный или поломанный товар вместе с бытовыми отходами. Его необходимо доставить в специальный центр утилизации электрических отходов. Отнесите к утилизации фильтра ответственность. Узнайте всю необходимую информацию у своих местных представителей.

РЕГИСТРАЦИЯ ПРОДУКТА

Регистрируя продукт онлайн в разделе "регистрация продукта" на сайте www.sicce.com и заполнив требующиеся данные, Вы активируете "специальную онлайн гарантию" на роторную группу на 6 месяцев с даты покупки, чек на покупку будет подтверждать регистрацию. В случае отсутствия регистрации гарантия будет организована следующим образом:

ГАРАНТИЙНЫЕ ОБЯЗАТЕЛЬСТВА

На данную продукцию (кроме лопастного колеса 7) распространяется гарантия сроком на 3 года с момента покупки. Гарантийный талон должен быть заполнен продавцом и прилагаться к насосу при его возврате для ремонта вместе с чеком, подтверждающим покупку товара. Гарантия распространяется на замену всех дефектных частей. В случае неправильного использования, несанкционированного вмешательства в конструкцию или небрежности покупателя или пользователя, гарантийные обязательства немедленно утрачивают силу. Изделие также не подлежит гарантийному обслуживанию в случае отсутствия чека или другого подтверждения покупки. Стоимость отправки насоса производителю или в место ремонта оплачивается покупателем. **УЗНАЙТЕ, КАК ПОЛУЧИТЬ ГАРАНТИЮ НА ВАШ ТОВАР СРОКОМ НА 5 ЛЕТ:** С целью улучшения обслуживания и для более полного удовлетворения запросов наших клиентов, компания SICCE предлагает возможность дополнительного гарантированного обслуживания сроком на 2 года. Просто зарегистрируйте свой товар на вебсайте www.sicce.com в раздел "Sicce для вас / Регистрация товара". Заполните форму и загрузите чек на приобретенный товар. После того, как вы правильно введете всю информацию, заполните заявку на продление гарантийного срока.

45

非常感谢您选择新一代的 SICCE XStream SDC 系列造浪泵。本产品在意大利本土设计并制造，按照最严格的质量标准生产。SICCE 公司通过应用当前最先进的技术，使得这款产品性能优秀、可靠耐用、功耗低而且容易维护。特殊的连接设计能让造浪泵方向360度调整，强力的磁吸系统在恶劣的环境下也能牢牢固定。XStream SDC 系列拥有微型的电子控制器，通过控制流量和调整预设的程序，创造出理想的自然水流模式。

安全信息-请仔细阅读

XStream SDC 系列符合国家和国际安全法律。

- 1) 在安装或者进行任何的维护动作之前，请先切断电源。请确保水泵供电场所所有安装漏电保护装置，且额定的剩余动作电流不超过30mA。
- 2) 本产品是为室内使用而设计，并不适合在户外使用。
- 3) 在连接电源之前请检查插头和电缆是否有损坏。
- 4) 本产品包含一个Z型电缆连接，电缆和插头不能进行替换和维修，如果发生故障需要整体更换。
- 5) 注意：如果发生故障或者任何形式的损坏时，请不要在电缆和插头有破损的情况下进行任何操作。
- 6) 切勿在脱水或者水温高于35摄氏度的情况下使用。
- 7) 切勿在有腐蚀性或者研磨性的液体中使用。
- 8) 请勿在本产品设计的用途以外的场合使用（例如在浴缸内或者其他应用）
- 9) 如果没有监护人负责安全的情况下，本产品请勿让有功能障碍的人士或者儿童独立操作。
- 10) 请与刀、尖锐的物品或者其他磁铁保持距离以防这些金属物体被强磁吸系统吸引而造成意外伤害。
- 11) 磁铁可能会对电子设备或者其他物品造成永久性的损坏，对磁场敏感的物品（如：心脏起搏器、银行卡和钥匙等）请永远保持至少30厘米的距离。
- 12) 磁铁如果暴露在50摄氏度或以上的环境下，可能会完全失去吸力。
- 13) 连接电源时候请留下一个滴水圈，防止滴水到达插头和供电电源。（如图：1）
- 14) 在安装和维护的时候请勿用电源线提起整个泵体。
- 15) 由于磁吸系统十分强力，因此不要直接将两个磁铁连接起来。只接触他们的外壳并留意不要将手或手指放在两个磁铁之间。

组件

- [1] 减震垫 [2] 外部磁吸 [3] 内部磁吸 [4] 转轴支架 + O形密封圈 [5] 陶瓷轴承 [6] 泵体 [7] 转子 [8] 前置 [8.1] O形密封圈 [9] 电子控制器 [10] 减震电线套管 [11] 电源适配器（图2）

安装方式

安装步骤：

- 1) 检查水泵是否有损坏。
- 2) 确定安装的位置，并清洁水族箱内相应的玻璃表面。
- 3) 将 2 和 3 分离并取出磁铁分离器（图A1）
- 4) 将 1.减震橡胶和3.内部磁吸座组合（图A2）
- 5) 将泵体完全浸没在水中，并向上垂直，排除内部空气，可避免启动时发出噪音。（图A3）
- 6) 为了避免振动和共振，不要把泵体安装在太靠近水面或者底部的沙石部分。
- 7) 将水泵放置在您设定的位置并让 3 磁吸座和减震垫靠在玻璃上。（图A4）
- 8) 与内部磁吸座（3）中心保持10cm的距离，将外部磁吸座（2）贴近水族箱玻璃外部（图A5）。慢慢拖动靠近，直至吸牢并确认（2）和（3）的中心在同一位置（图A5）警告：强力磁铁。在安装的时候请谨慎操作，避免手和手指受伤。
- 9) 将水泵方向调整到需要的角度。
- 10) 将泵电缆连接到控制器上，注意正确匹配，然后拧紧环形螺母。
- 11) 在控制器的左侧插入电源线（为避免错误，请不要插入右侧插口）。右边的插孔是为连接备用电池盒而设计。
- 12) 接上电源
- 13) 有关泵的操作，请参见XStream SDC PROGRAMMING段落。

如何开始使用XStream SDC

按住右边(+)的按钮维持3秒，启动造浪泵，开始自检。此时所有的led灯都会发光并维持数秒。造浪泵默认从50%流量开始工作，按下(+)或(-)可以增加或减少泵的流量，并通过led的发光数量变化来表示流量的大小。LED 的颜色可以通过CONTRALL app进行颜色设置，易于辨认。一旦控制器通过CONTRALL app配置并连接到Wi-Fi网络，Wi-Fi符号就会闪烁蓝色。如果泵是由CONTRALL app控制的，则无法使用控制器改变泵的运行状态，只能按下右边(+)的按钮维持3秒，完全关闭造浪泵。

如何使用电子控制器

控制器不能浸入水中，尽量靠近水族箱，避免意外掉落。它可以放置在台面上，或者使用提供的底座（提供螺丝或双面胶）将其挂在底柜或水族箱的玻璃上（图片：D）。我们建议在控制器和泵的之间的电缆上创建一个滴水回路（图1），以防止水滴意外到达电源。操作控制器时，请保持双手干燥。该控制器只能用于SICCE公司生产的XStream SDC造浪泵，并使用自带的AC/DC适配器供电。任何其他方面的应用都可能损坏该电子设备，令保修无效。

EN

备用电池

“在右边的接口，用于连接一组备用电池(需另外购买*)，确保临时断电时，可以维持泵的运行最长不超过5小时(根据电池的容量变化决定持续时间)。

如果你决定在XStream SDC上安装这个额外的保护系统，你需要将电池组(3个3.7V型号的18650锂电池)连接到控制器的相应接口上。在正常运行过程中，电池组由控制器自身负责充电，在临时断电时进入工作状态，保证控制器和泵在预计时间内运行。”

此时，无论程序设置如何，造浪泵都会降低50%的功率以增加其运行时间。与此同时，如果CONTRALL应用程序配置文件中的警报已经激活，且连接的路由器仍在工作，则会通过软件通知电源不足。几分钟后，Wi-Fi模块将关闭，以延长电池寿命。当电池快用尽时，泵会自动关闭，以防止损坏电池。当电力恢复后，一切都会恢复正常。

*在SICCE配件范围内，您可以购买带有连接电缆的特定电池盒插入控制器。电池(3个锂3.7V型号18650)必须单独从经销商处购买。

控制器保修年限：2年

IT

DE

FR

ES

NL

PT

RU

CN

日常维护

定期保养，切断电源并把造浪泵拿出，定期清洗造浪泵外壳和转子。在石灰质和碎屑比较多的环境下，需要更加频繁的清洗维护。请看下图：把前罩(8)从造浪泵体(6)上拆卸，轻轻的在前罩两端挤压一下即可将其拆下。逆时针旋转前方锁扣，即可把转子拆卸。仔细清洗各个组件，可以使用添加了清洁剂的淡水或者醋，用毛刷轻轻擦拭。在重新使用之前，请将所有部件冲洗干净。SICCE的产品设计耐用，可靠，随着使用时间的增加，只需要进行定期的维护，都能保持安静的工作效果。零件磨损也会导致噪音的产生，也此时以通过购买相应的零件解决。

其他维护：

“1)将插头从电插座上取下，然后将泵完全从水中取下。2)轻轻提起杠杆(pic.F1)并将其90°逆时针(pic.F2)。从泵的后面拉下组件3和4(图3.f3)。拆下前罩(pic.E1)和转子组件(pic.E1-E3)，借助一支笔，从后往前推，可以取出陶瓷轴承5(pic.F4)。注意任何位置，然后正确的替换。F5)。3)用软刷清洁陶瓷轴承5，清除任何残留或结痂的盐或有机物，注意不要弄丢橡胶圈。在将泵重新连接到电源插座之前，正确地重新组装所有部件。”

在线帮助

请在我们的官方频道观看我们的教学视频，网址：www.youtube.com/user/SICCEspa

48

EN

IT

DE

FR

ES

NL

PT

RU

CN

说明书所标示的产品正确放电数据，根据欧盟颁布指令 2002/96/EC

当产品被使用或者损坏后，产品不需要和其他废品一起丢弃，可以将其交给特定的电子废品手机中心或者提供这个服务的经销商。分类处理电子废品可避免影响环境和卫生，提供可再生材料、能源和节约资源

产品注册

通过在www.sicce.com网站的“产品注册”栏目在线注册产品，并填写所需数据并提供购买凭证，您将获得自购买之日起，长达6个月的转子“特别在线保修”条款。如果没有注册，保修条款如下。

产品保修

本产品自购买之日起，除转子外，因材料和制造工艺造成的质量问题提供3年保修。保修证书需要由经销商填写，如果水泵需要维修，请提供购买发票或者相关凭证。保修包括了更换有缺陷的零件。因用户使用不当、私自改造，拆解或疏忽而导致意外损坏，不属于保修范围，保修即时失效。保修时所需要支付的运费、保险等相关费用，由买方支付。

如何能延长您的产品保修期间到5年

为了提高我们的服务质量和客户的满意度，可以在我们的网站www.sicce.com的“SICCE for you/ product registration”中注册您的产品，从而延长保修期2年。简单地填写好表格并上传购买凭证，正确输入所有数据之后，即可完成整个延保请求。

49

SICCE S.r.l.

Via V. Emanuele, 115 - 36050 Pozzoleone (VI) - Italy
Tel. +39 0444 462826 - Fax +39 0444 462828 - P. IVA / VAT 02883090249
info@sicce.com - www.sicce.com

SICCE USA Inc.

1737 Louisville Drive - Knoxville, Tennessee 37921, USA
Ph. +1 865 291-3202 - Fax +1 865 291-3203
info@sicceus.com - www.sicce.com

SICCE AUSTRALIA Pty Ltd

Perth, WA · Australia
info@sicce.com.au
www.sicce.com